

# Catalogue

安徽千航新能源科技有限公司

Anhui Qianhang New Energy Technology Co.,Ltd

诚信铸就品质 创新引领未来

Honesty Casts Quality Innovation and Leads the Future



## Anhui Qianhang New Energy Technology Co.,Ltd Company brief introduction

Anhui Qianhang New Energy Technology Company Limited established in the year 2015, which is a professional manufacturer specializing in the production, research and development, design, and trading of lithium battery. We locate in Bengbu City, enjoy convenient transportation access to vital port Shanghai. Our well-equipped facilities and strict quality control throughout all stages of production enables us to guarantee total customer satisfaction. Our products comply with international quality standards and are appreciated in a variety of different markets throughout the world.

We have employees, more than a dozen technical personnel. Our exported percentage occupies around 50%. Our well-equipped facilities and excellent quality control throughout all stages of production enables us to guarantee total customer satisfaction. Qianhang won the reputation of “new high-tech enterprise” in 2019 and came to terms with Chinese electrical science & technology group company on strategic co-work agreement to exploit abroad markets.

As a result of our reliable products and professional customer service, we have saled our products to Indonesia, Holland and other country. We have our-own and international universal certificate of the system of QC. If you are interested in any item of our products or would like to make deals with Qianhang, please feel free to contact us. We are looking forward to building a friendly cooperation with new clients around the world in the near future.



# CONTENTS

# 目录



**Industrial Battery**



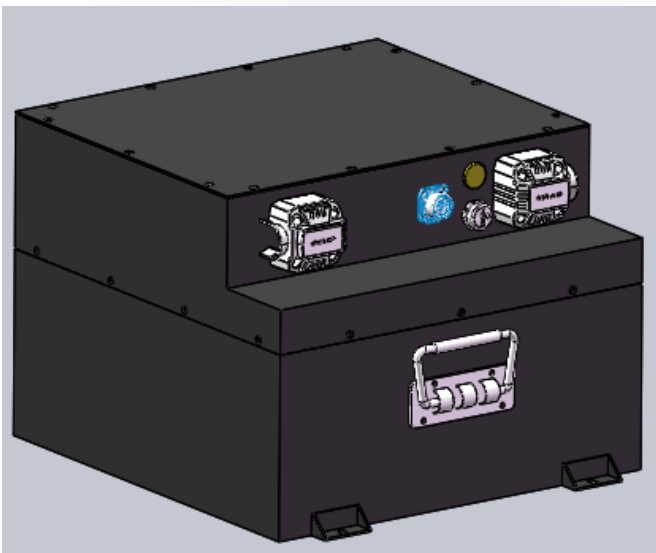
**Special Battery**



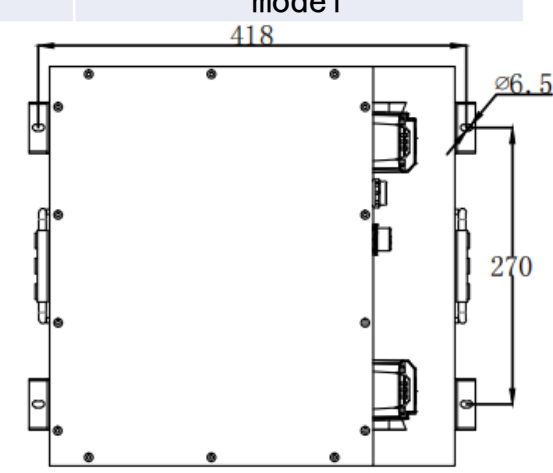
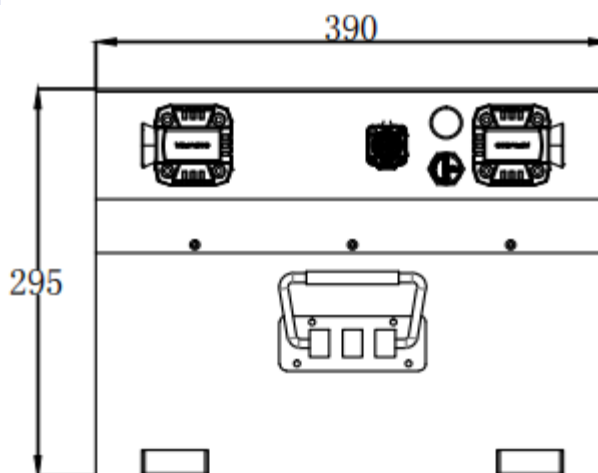
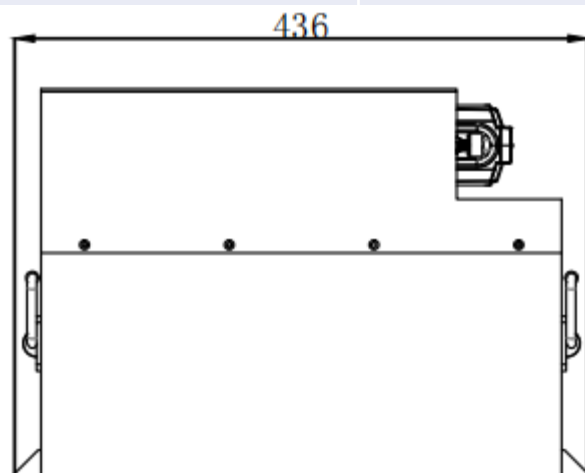
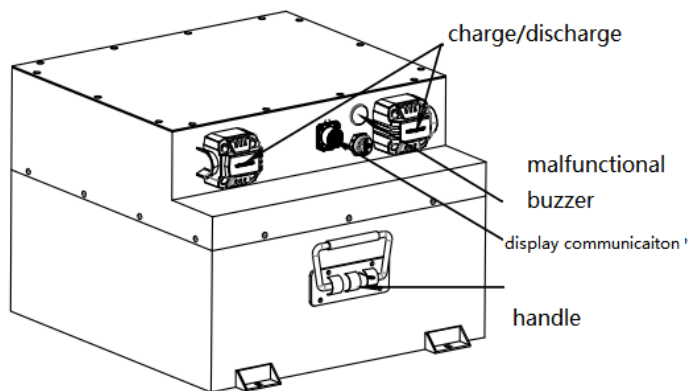
**Energy storage**

# rv vehcile

12.8V 400Ah is 795USD 40kg  
 12.8V 300Ah : 580USD  
 CIF Shipping cost: 400USD



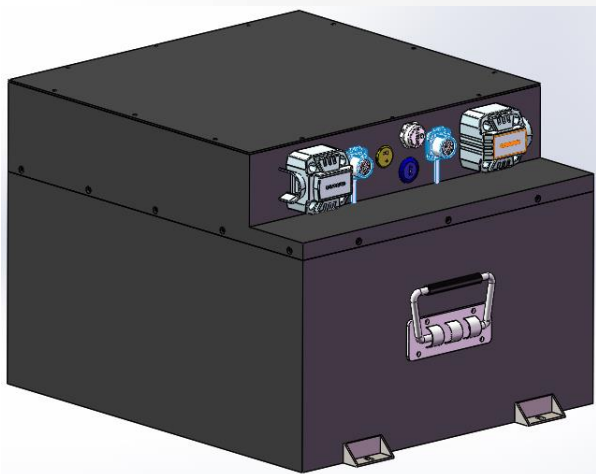
| model             | QH12.8V412Ah0783 | volt arrange          | 10.8V-14.6V               |
|-------------------|------------------|-----------------------|---------------------------|
| rated volt        | 12.8V            | rated capacity        | 412Ah                     |
| discharge current | 200A             | discharge temperature | -20°C-60°C                |
| charge current    | 100A             | charge temperature    | -0°C-45°C                 |
| size              | 436*390*295mm    | weight                | around80kg                |
| communicaiton     | CAN              | service life          | 5Y                        |
| screen            | EA4.3inch screen | parallel              | parallel under same model |



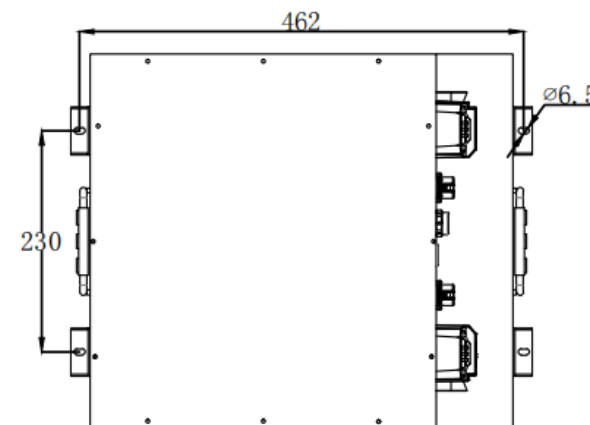
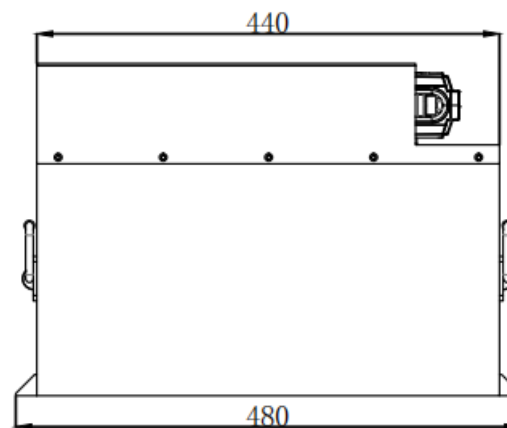
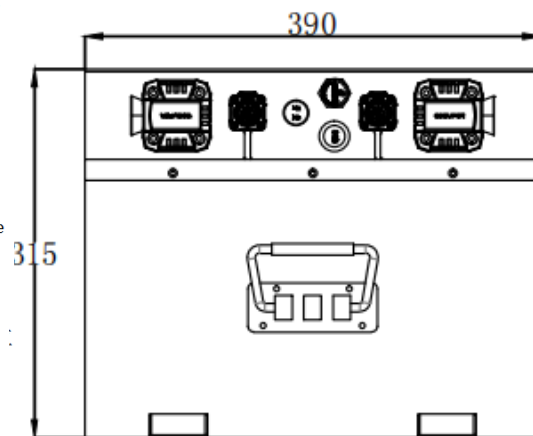
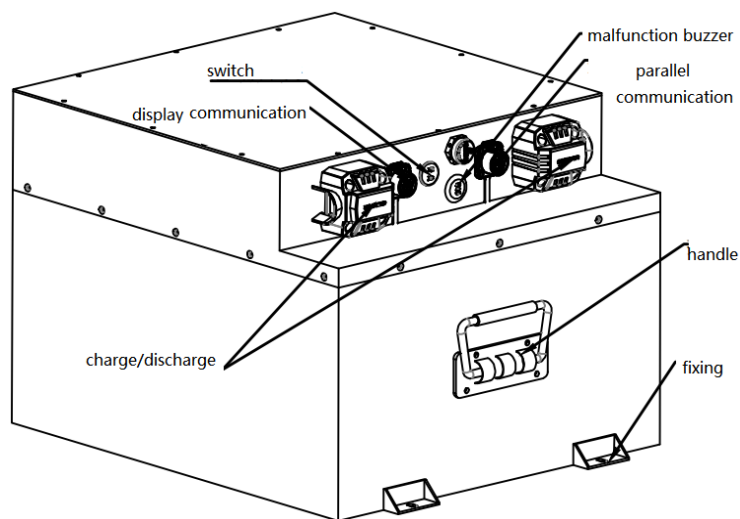
# recreational vehicle



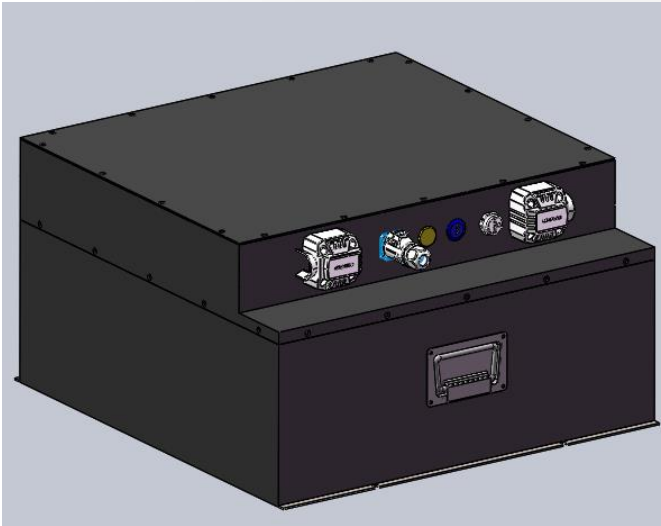
12.8V 300Ah is 580USD\*2=600ah  
26kg/pc



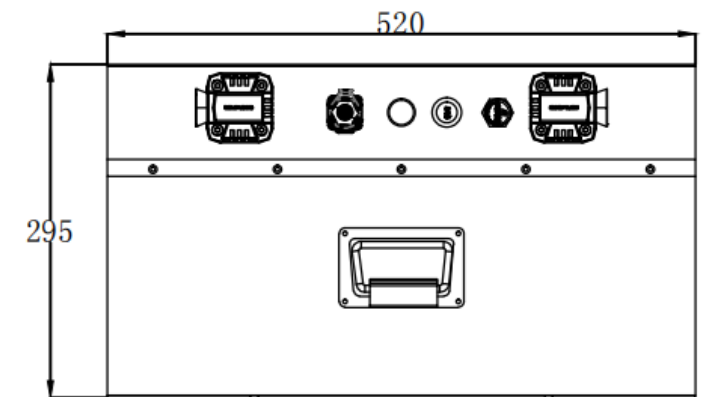
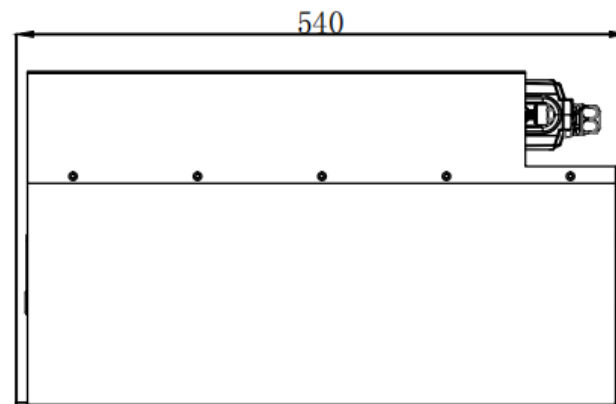
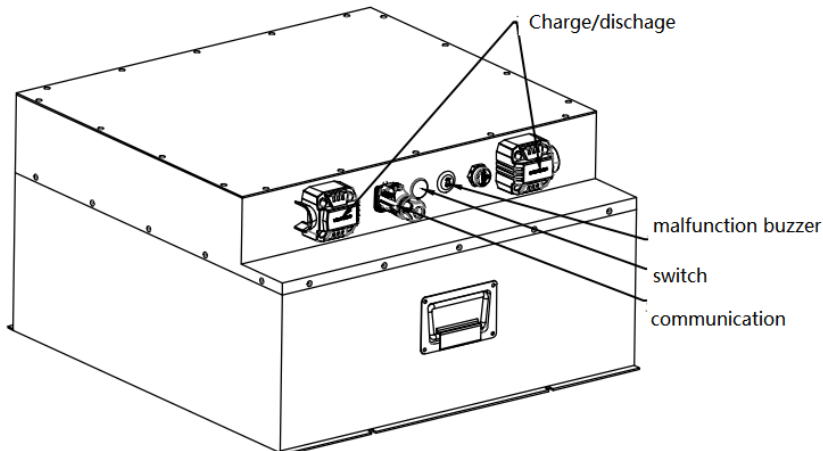
| model             | QH12. 8V618Ah0778 | volt arrange          | 10. 8V-14. 6V             |
|-------------------|-------------------|-----------------------|---------------------------|
| rated volt        | 12. 8V            | rated capacity        | 618Ah                     |
| discharge current | 200A              | discharge temperature | -20°C-60°C                |
| charge current    | 100A              | charge temperature    | -0°C-45°C                 |
| size              | 480*390*315mm     | weight                | around73kg                |
| communication     | CAN               | service life          | 5Y                        |
| screen            | EA4. 3inch screen | parallel              | parallel under same model |



# Recreational vehicle



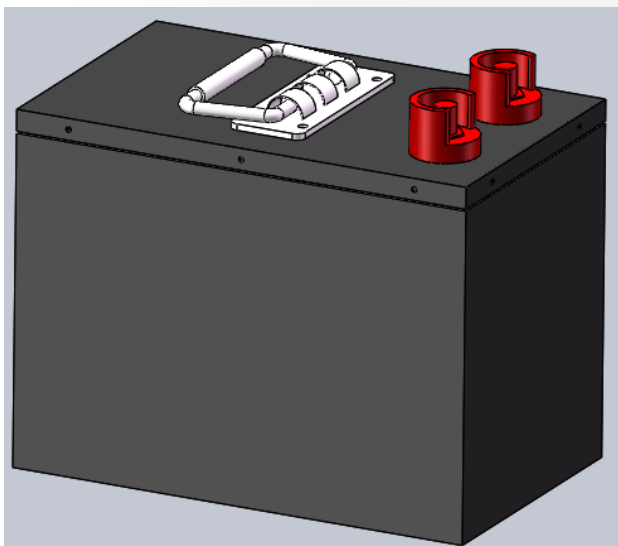
|                   |                  |                       |                           |
|-------------------|------------------|-----------------------|---------------------------|
| battery model     | QH12.8V824Ah0636 | volt arrange          | 10.8V-14.6V               |
| rated volt        | 12.8V            | rated capacity        | 824Ah                     |
| discharge current | 200A             | discharge temperature | -20°C-60°C                |
| charge current    | 100A             | charge temperature    | -0°C-45°C                 |
| size              | 540*520*295mm    | weight                | around85kg                |
| communication     | CAN              | service life          | 5Y                        |
| screen            | EA4.3inch screen | parallel              | parallel under same model |



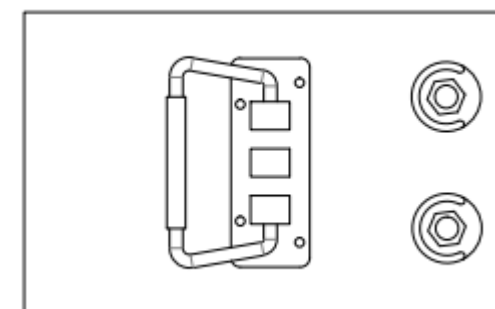
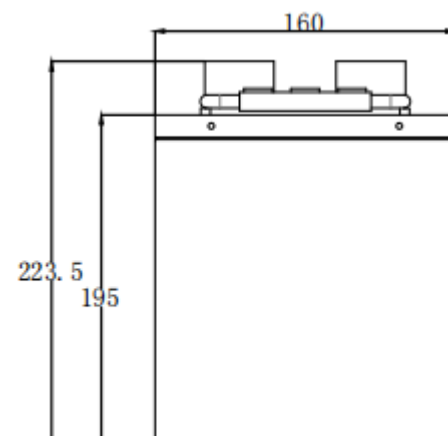
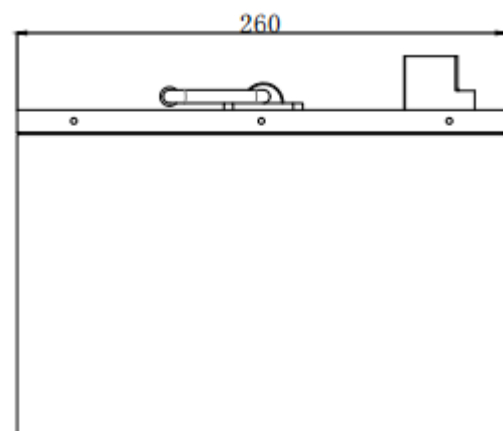
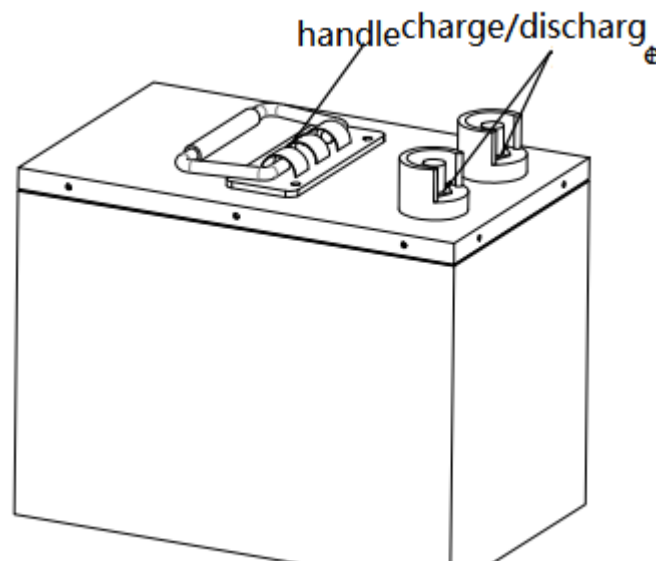
# moving power



25.6V 42ah FOB USD 179/pcs;



| model             | QH25. 6V42Ah0142 | volt arrange          | 20V-29. 2V |
|-------------------|------------------|-----------------------|------------|
| rated volt        | 25. 6V           | rated capacity        | 42Ah       |
| discharge current | 40A              | discharge temperature | -20°C-60°C |
| charge current    | 10A              | charge temperature    | -0°C-45°C  |
| size              | 260*160*195mm    | weight                | 73kg       |
| communication     | no               | service life          | 3Y         |
| screen            | no               |                       |            |

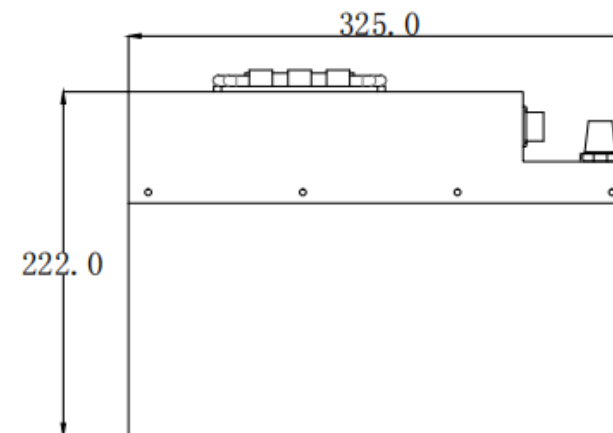
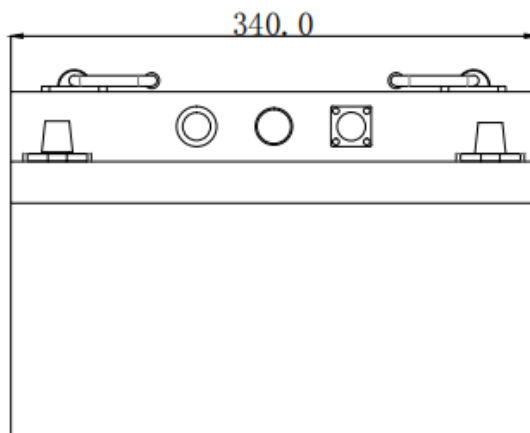
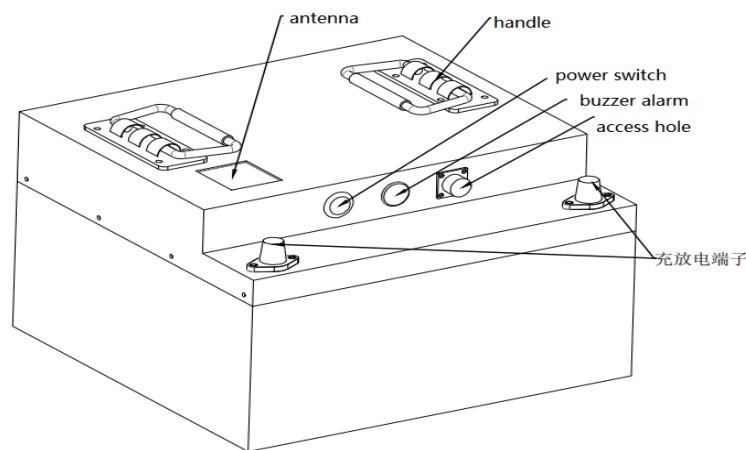


# Sweeping power

25.6V 84ah FOB USD 358/pcs



| Model             | QH25. 6V84Ah0596  | Volt Arrange          | 20V-29.2V   |
|-------------------|-------------------|-----------------------|-------------|
| Rated Volt        | 25.6V             | Rated Capacity        | 84Ah        |
| discharge current | 84A               | Discharge Temperature | -20°C-60°C  |
| Charge current    | 30A               | charge Temperature    | -0°C-45°C   |
| Size              | 340*325*222mm     | weight                | around 26kg |
| Communication     | Real-time monitor | Service life          | 5Y          |

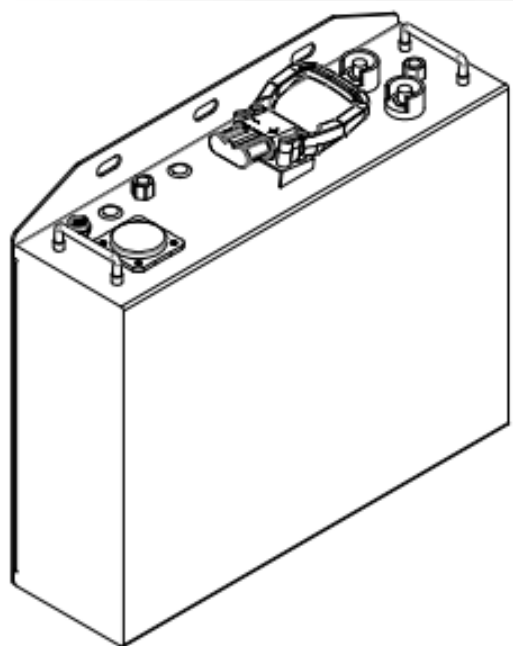




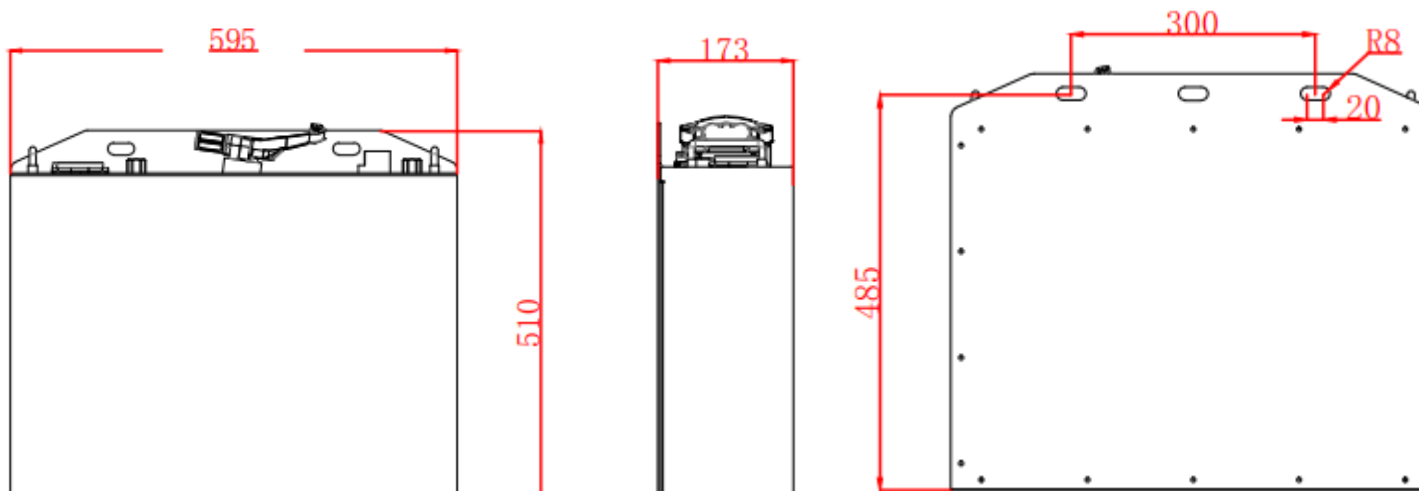
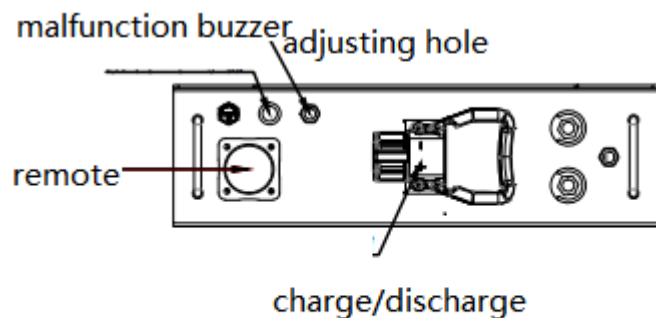
# moving power



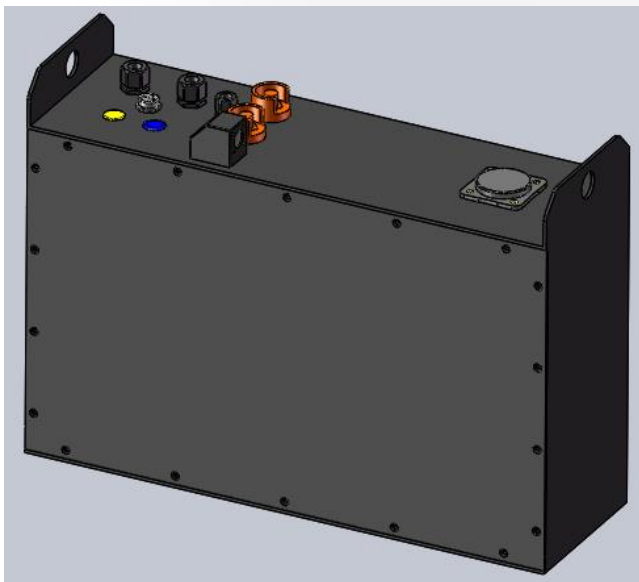
Class A 25.6V 200Ah is 710USD FOB Shenzhen  
Class B 644\$



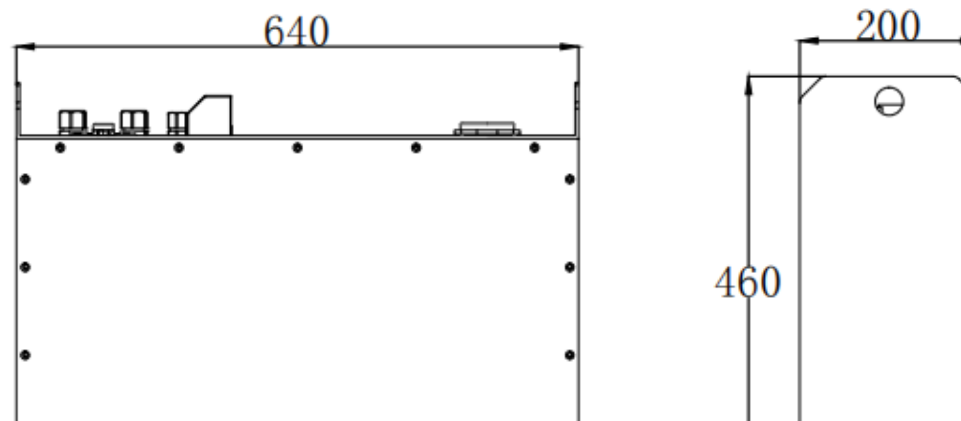
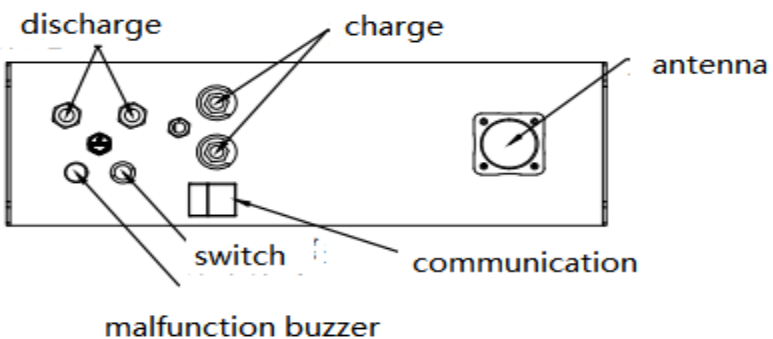
| model             | QH25. 6V150Ah0331      | volt arrange          | 20V-29. 2V |
|-------------------|------------------------|-----------------------|------------|
| rated volt        | 25. 6V                 | rated capacity        | 200Ah      |
| discharge current | 150A                   | discharge temperature | -20°C-60°C |
| charge current    | 50A                    | charge temperature    | -0°C-45°C  |
| size              | 595*173*510mm          | weight                | 60kg       |
| communication     | CAN, real time monitor | service life          | 5Y         |
| screen            | round meter            |                       |            |



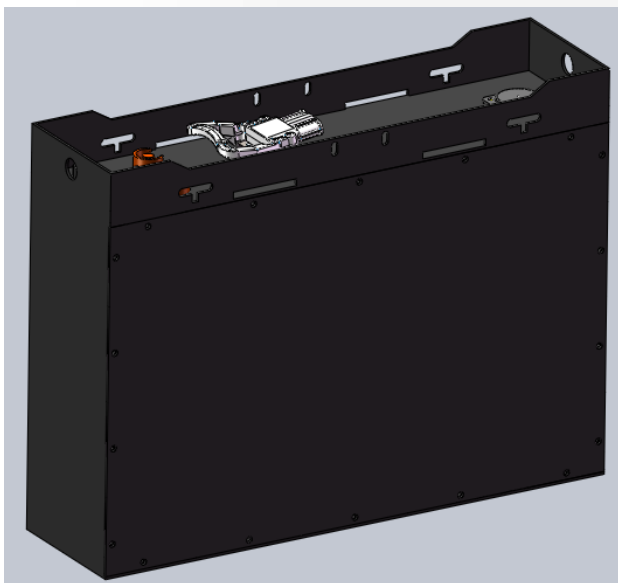
# moving power



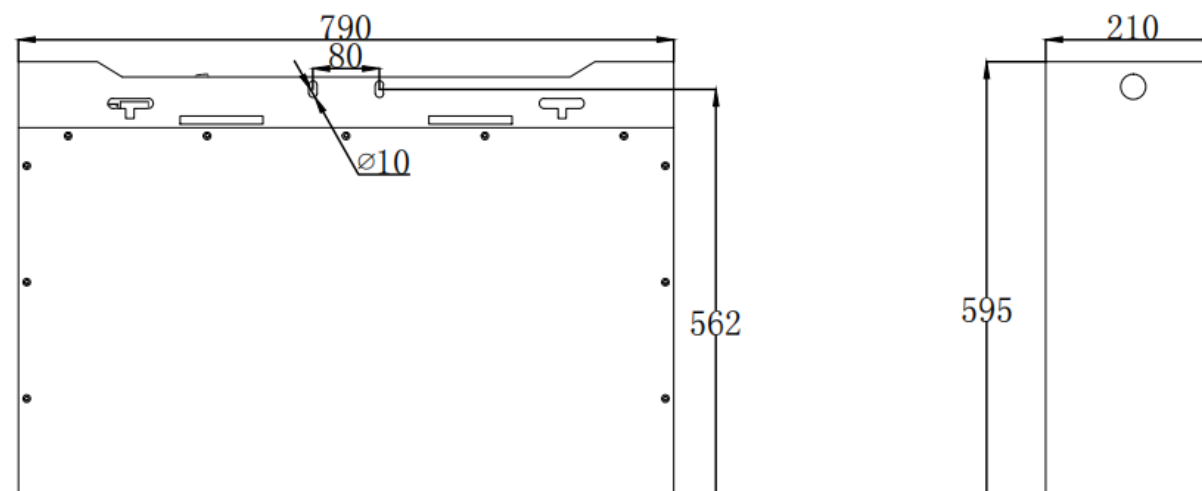
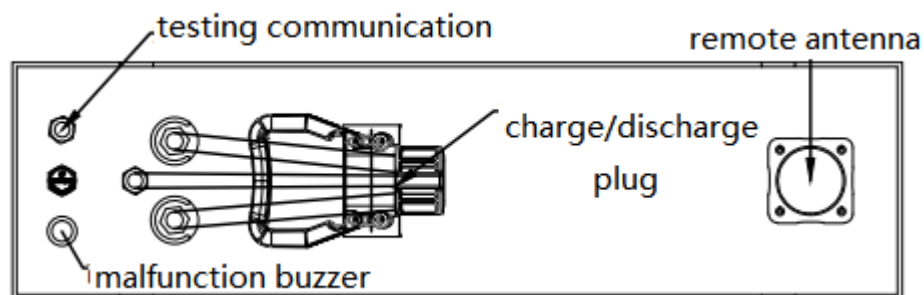
| model             | QH25.6V150Ah0138       | volt arrange          | 20V-29.2V  |
|-------------------|------------------------|-----------------------|------------|
| rated volt        | 25.6V                  | rated capacity        | 200Ah      |
| discharge current | 150A                   | discharge temperature | -20°C-60°C |
| charge current    | 50A                    | charge temperature    | -0°C-45°C  |
| size              | 640*200*460mm          | weight                | 60kg       |
| communication     | CAN, real time monitor | service life          | 5Y         |
| screen            | round meter            | charge/dischargehole  | separated  |



# moving power



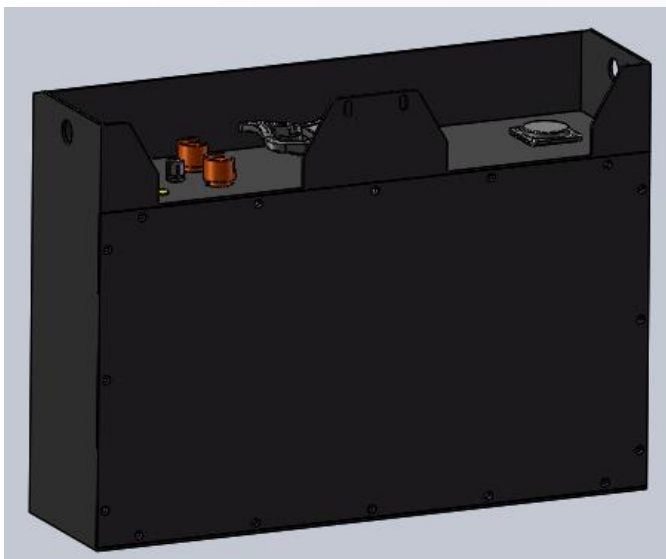
| model             | QH25.6V200Ah0362       | rated volt            | 20V-29.2V  |
|-------------------|------------------------|-----------------------|------------|
| rated volt        | 25.6V                  | rated capacity        | 200Ah      |
| discharge current | 100A                   | discharge temperature | -20°C-60°C |
| charge current    | 100A                   | charge temperature    | -0°C-45°C  |
| size              | 790*210*595mm          | weight                | 72kg       |
| communication     | CAN, real time monitor | service life          | 5Y         |
| screen            | round meter            |                       |            |



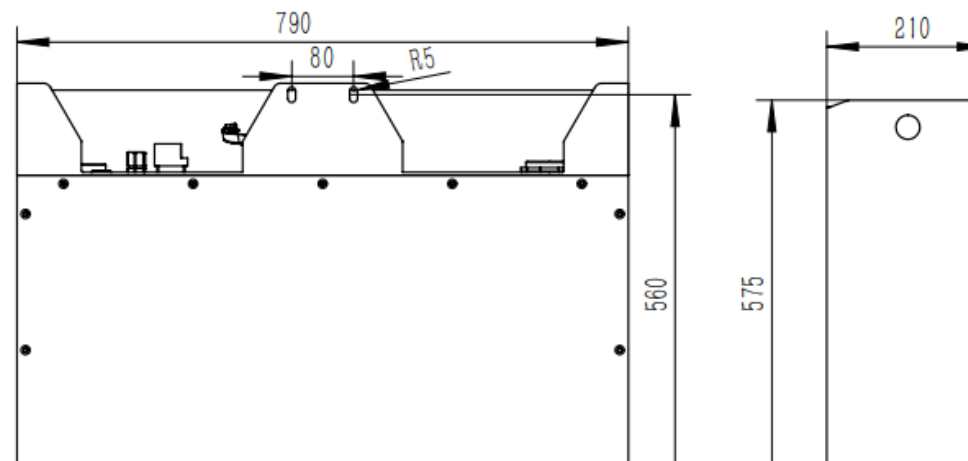
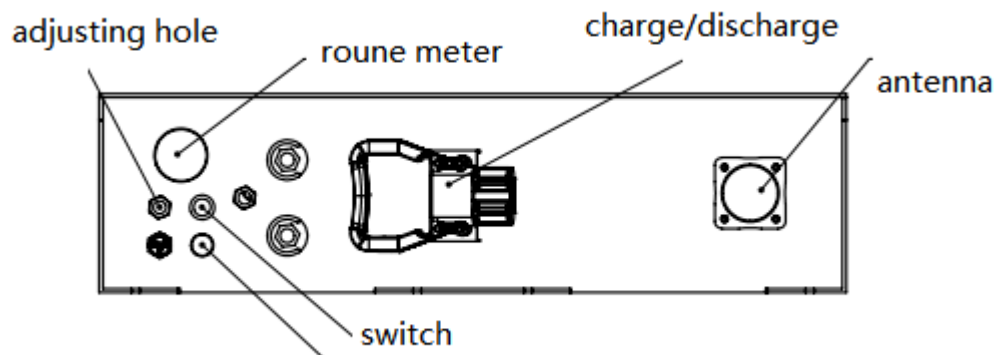
# moving power



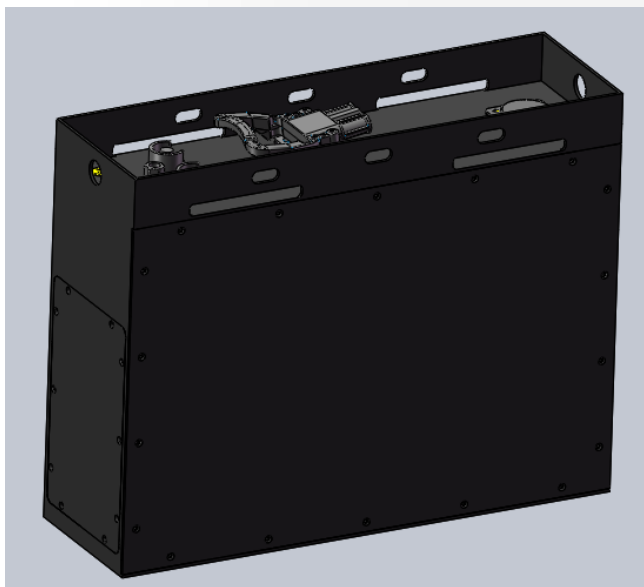
no bluetooth: 648Usd  
 INCLUDED BLUETOOTH: 688USD



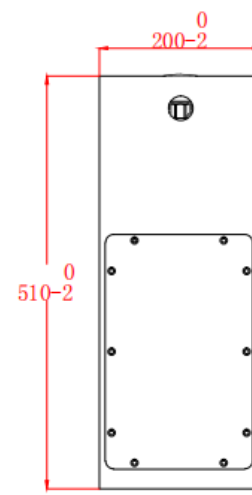
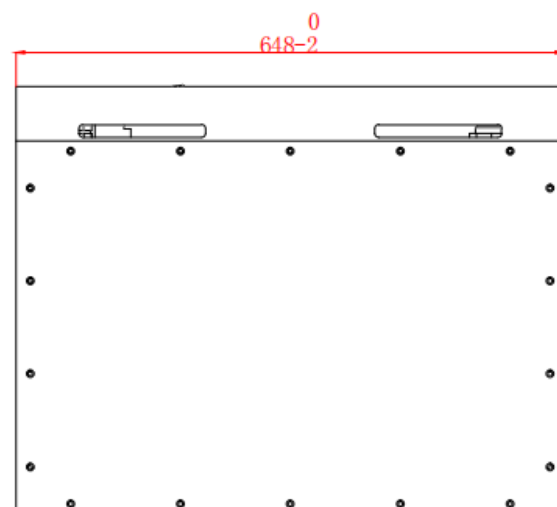
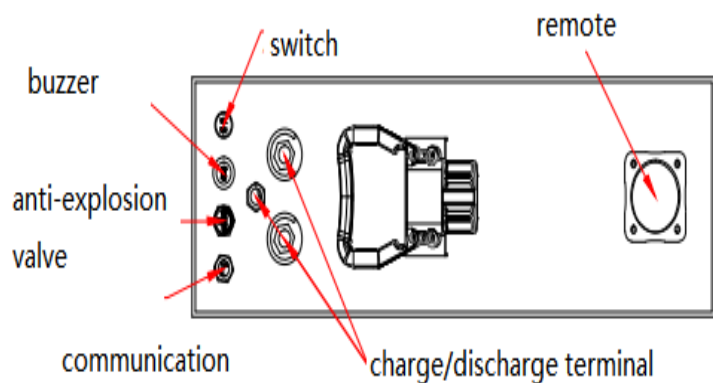
| model             | QH25. 6V200Ah001       | rated volt            | 20V-29. 2V |
|-------------------|------------------------|-----------------------|------------|
| rated volt        | 25. 6V                 | rated capacity        | 200Ah      |
| discharge current | 100A                   | discharge temperature | -20°C-60°C |
| charge current    | 100A                   | charge temperature    | -0°C-45°C  |
| size              | 790*210*575mm          | weight                | 72kg       |
| communication     | CAN, real time monitor | service life          | 5Y         |
| screen            | round meter            |                       |            |



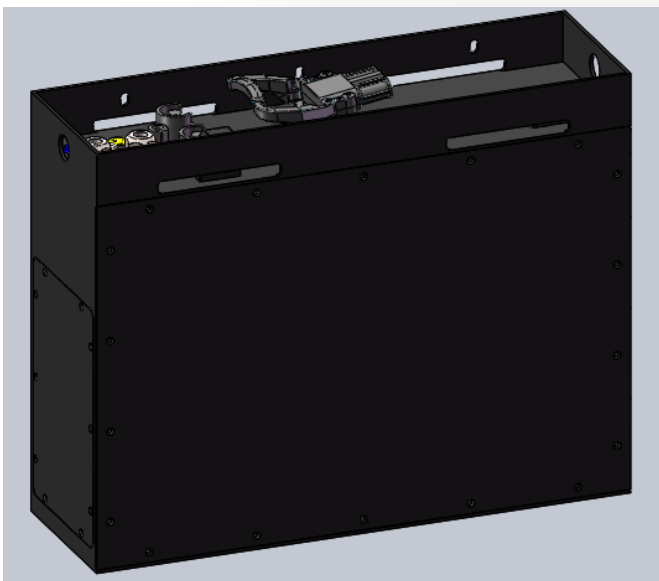
# moving cart power



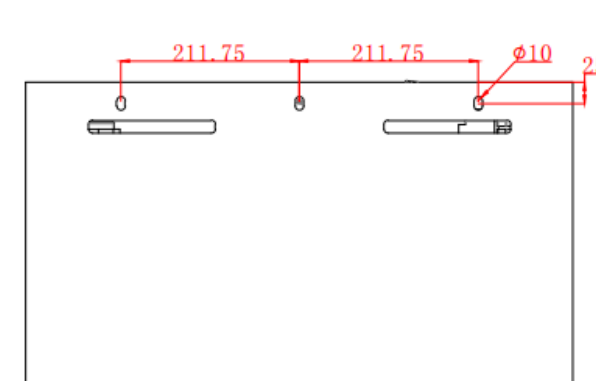
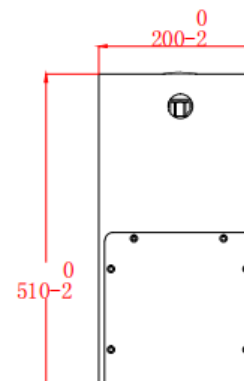
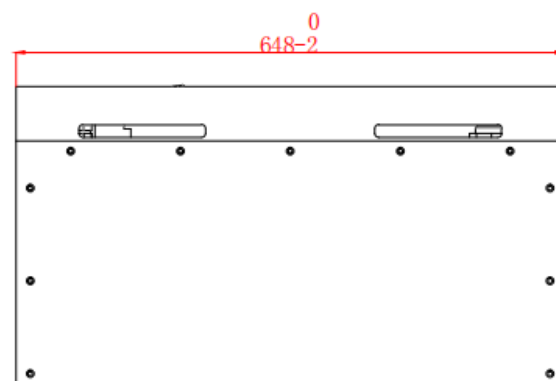
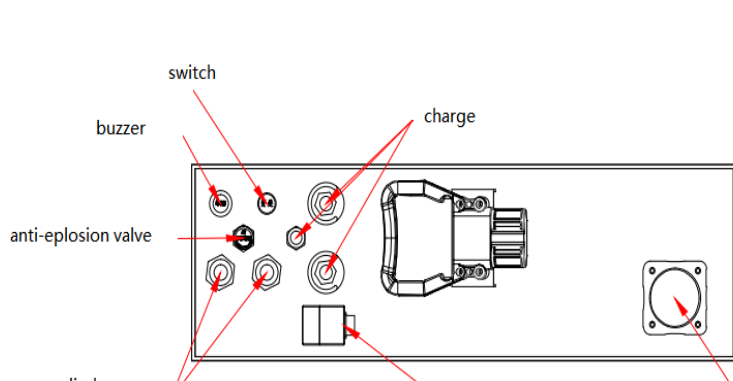
| model             | QH25. 6V200Ah0448      |                       | volt arrange | 20V-29. 2V |
|-------------------|------------------------|-----------------------|--------------|------------|
| rated volt        | 25. 6V                 | rated capacity        | 200Ah        |            |
| discharge current | 100A                   | discharge temperature | -20°C-60°C   |            |
| charge current    | 100A                   | charge temperature    | -0°C-45°C    |            |
| size              | 648*200*510mm          |                       | weight       | 72kg       |
| communication     | CAN, real time monitor |                       | service life | 5Y         |
| screen            | round meter            |                       |              |            |



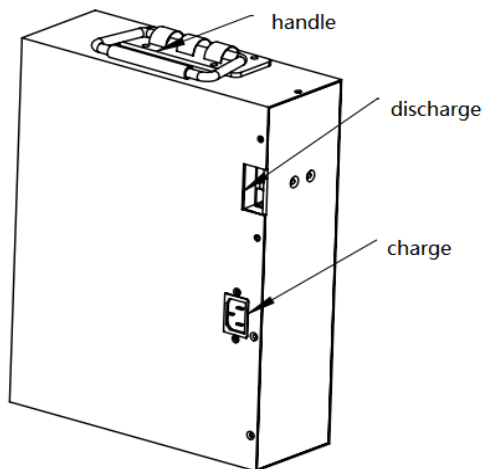
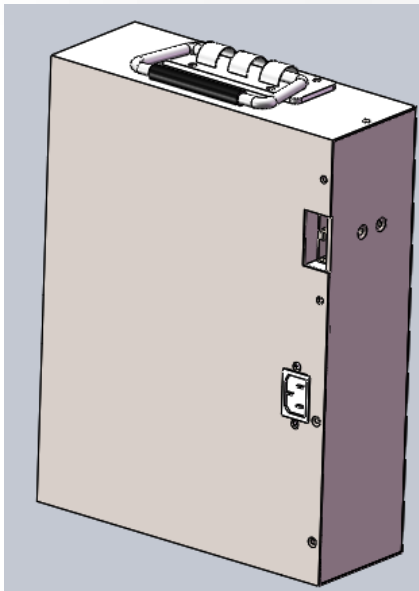
# moving cart power



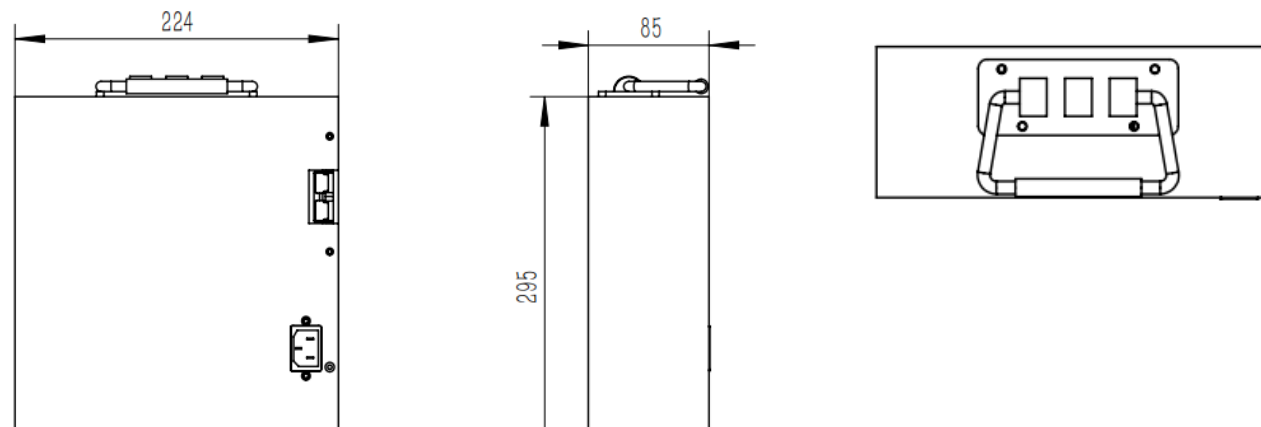
| model             | QH25.6V200Ah0449       | volt arrange          | 20V-29.2V  |
|-------------------|------------------------|-----------------------|------------|
| rated volt        | 25.6V                  | rated capacity        | 200Ah      |
| discharge current | 100A                   | discharge temperature | -20°C-60°C |
| charge current    | 100A                   | charge temperature    | -0°C-45°C  |
| size              | 648*200*510mm          | weight                | 72kg       |
| communication     | CAN, real time monitor | service life          | 5Y         |
| screen            | round meter            | rated capacity        | separated  |



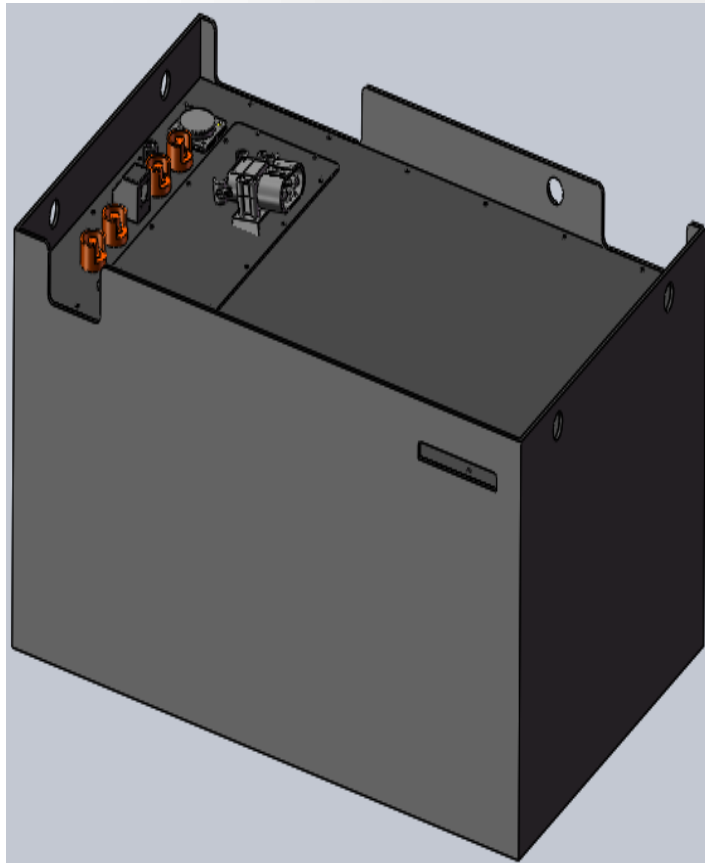
# trailer power



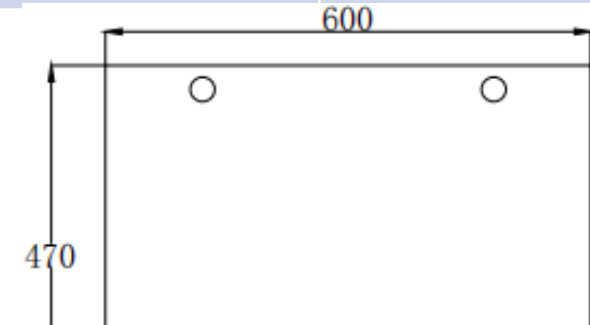
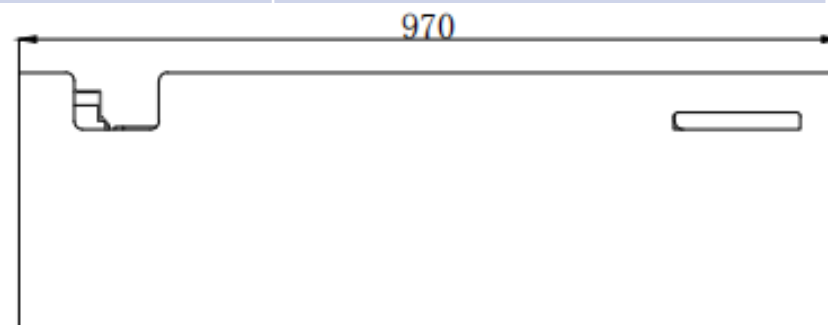
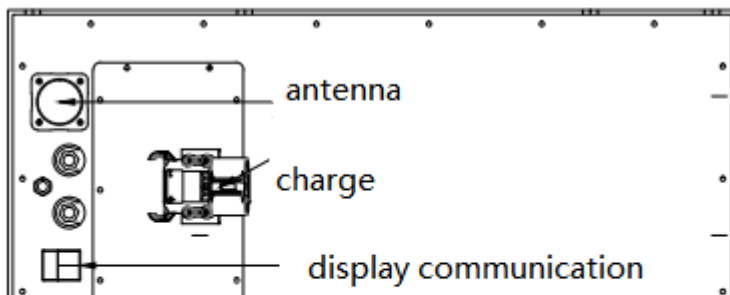
|                   |                   |                       |              |
|-------------------|-------------------|-----------------------|--------------|
| model             | QH48V12Ah0203     | volt arrange          | 37.5V-54.75V |
| rated volt        | 48V               | rated capacity        | 12Ah         |
| discharge current | 15A               | discharge temperature | -20°C-60°C   |
| charge current    | 3A                | charge temperature    | -0°C-45°C    |
| size              | 224*85*295mm      | weight                | 6kg          |
| material          | stainless steel   | service life          | 3Y           |
| charge hole       | top and twin-side | discharge hole        | 50A anderson |



# counter balanced forklift



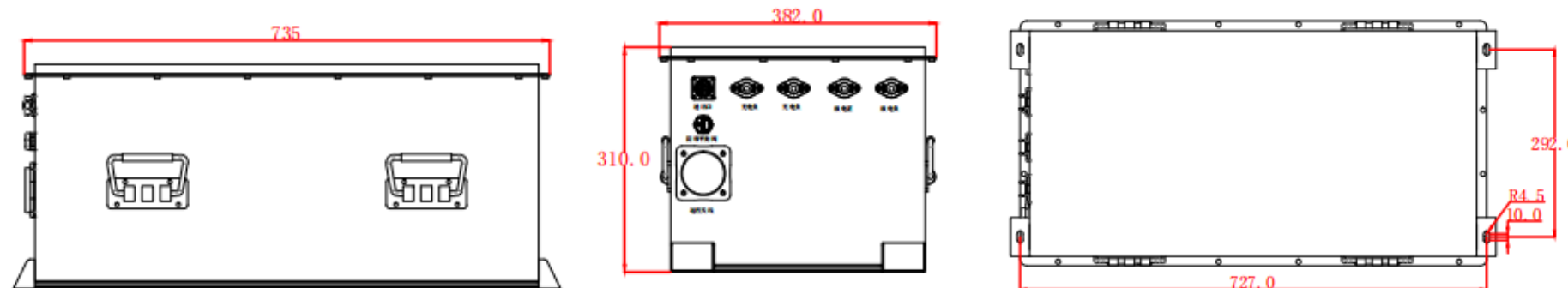
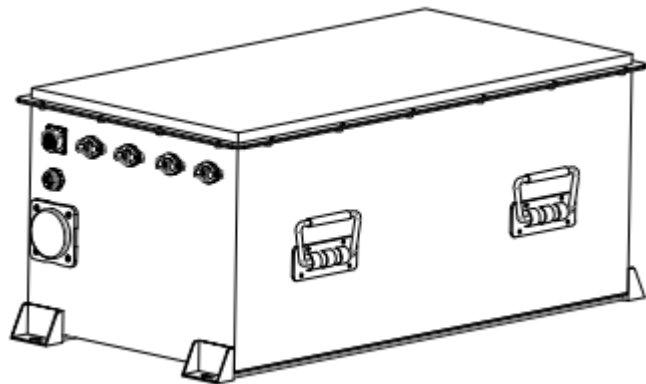
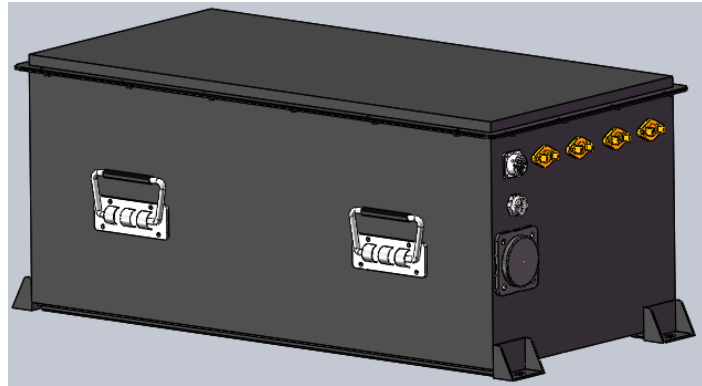
|                   |                        |                       |                               |
|-------------------|------------------------|-----------------------|-------------------------------|
| case vehicle      | lizhiyou FB15P         |                       |                               |
| model             | QH48V450Ah0798         | volt arrange          | 37.5V-54.75V                  |
| rated volt        | 48V                    | rated capacity        | 450Ah                         |
| discharge current | 200A                   | discharge temperature | -20°C-60°C                    |
| charge current    | 200A                   | charge temperature    | -0°C-45°C                     |
| size              | 970*600*470mm          | weight                | 640kg (extra weight included) |
| communication     | CAN, real time monitor | service life          | 5Y                            |
| screen            | EV4.3inch              | charge/discharge      | separated                     |



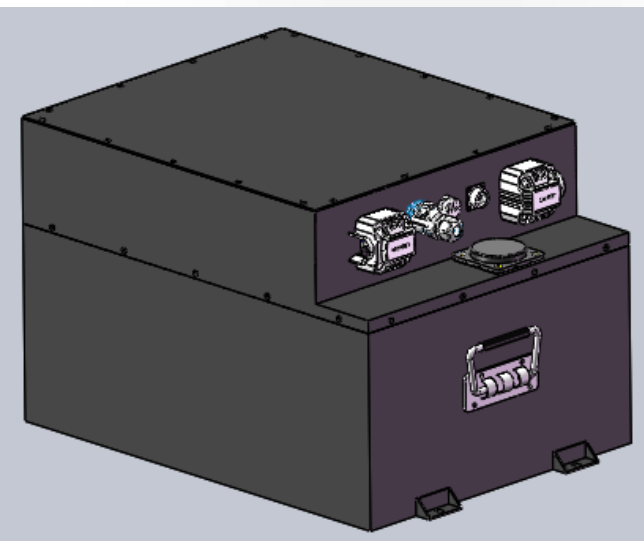


# special vehicle

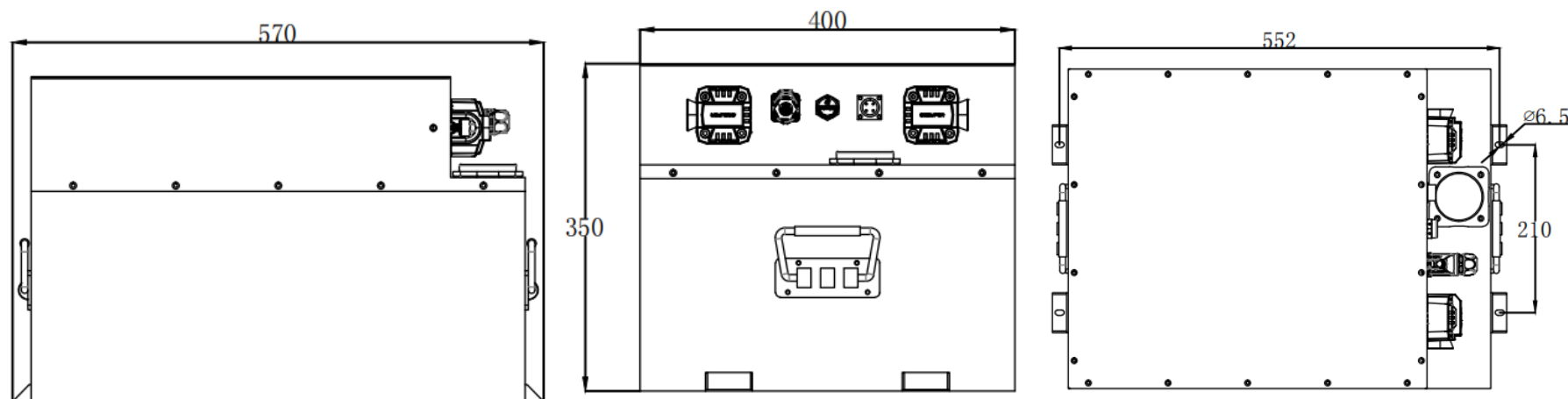
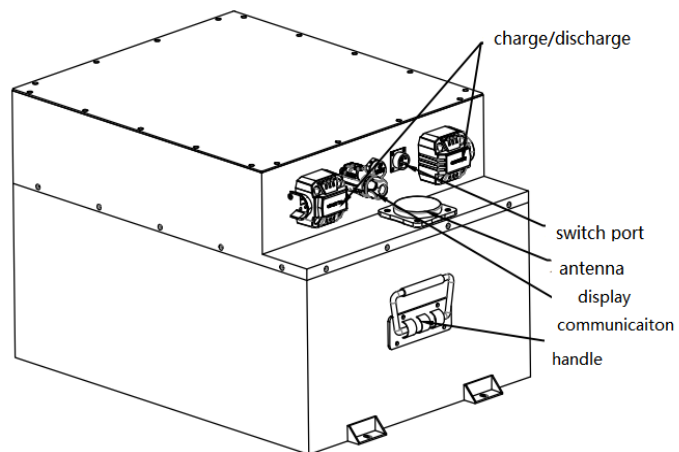
|                   |                        |                       |            |
|-------------------|------------------------|-----------------------|------------|
| model             | QH51. 2V200Ah0283      | volt arrange          | 40V-58. 4V |
| rated volt        | 51. 2V                 | rated capacity        | 200Ah      |
| discharge current | 100A                   | discharge temperature | -20°C-60°C |
| charge current    | 40A                    | charge temperature    | -0°C-45°C  |
| size              | 735*382*310mm          | weight                | 90kg       |
| communication     | CAN, real time monitor | service life          | 5Y         |
| screen            | 4.3inch screen         | charge/discharge      | separated  |



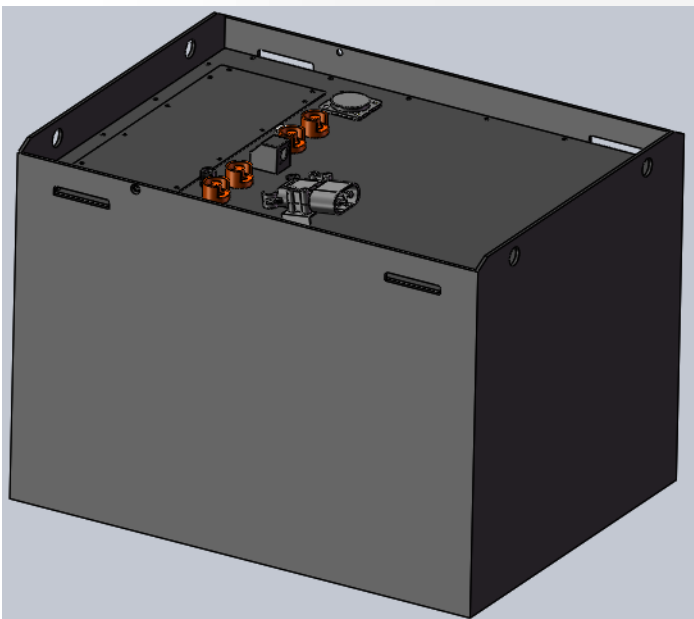
# rv vehicle



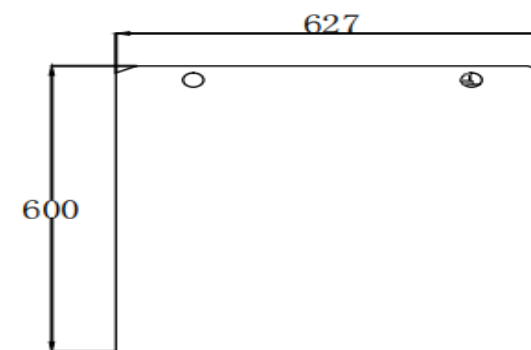
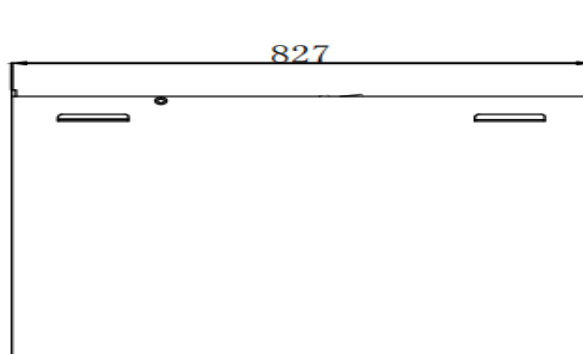
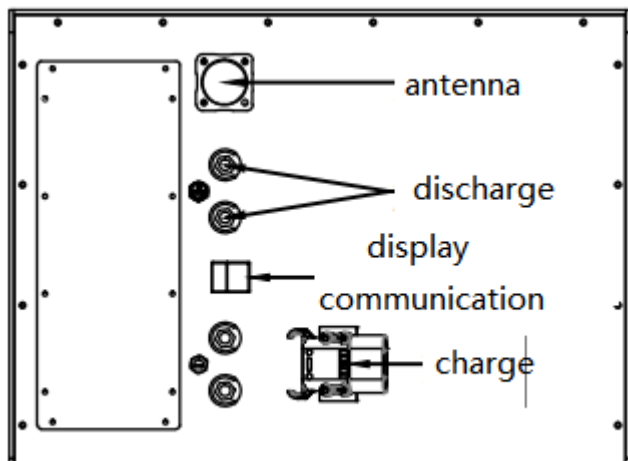
|                   |                  |                       |                           |
|-------------------|------------------|-----------------------|---------------------------|
| model             | QH51.2V206Ah0721 | volt arrange          | 40V-58.4V                 |
| rated volt        | 51.2V            | rated capacity        | 206Ah                     |
| discharge current | 150A             | discharge temperature | -20°C-60°C                |
| charge current    | 100A             | charge temperature    | -0°C-45°C                 |
| size              | 570*400*350mm    | weight                | around85kg                |
| communication     | CAN              | service life          | 5Y                        |
| screen            | EA4.3inch screen | parallel              | parallel under same model |



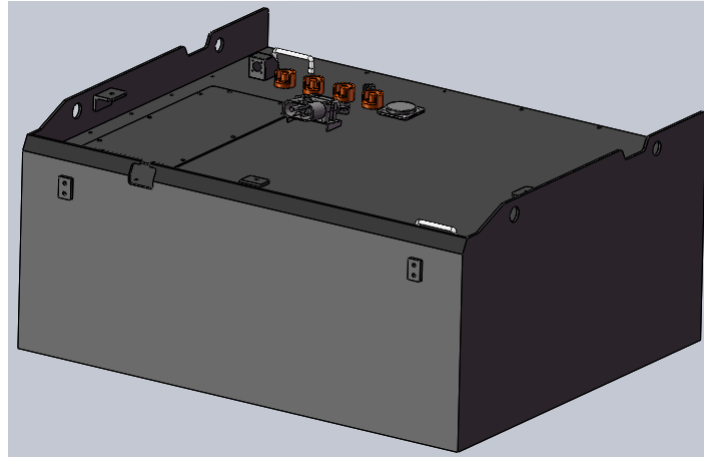
# counter balanced forklift



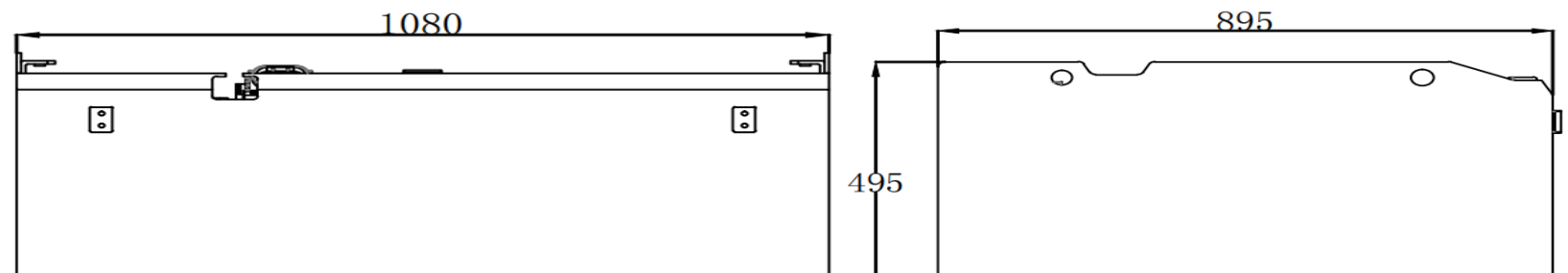
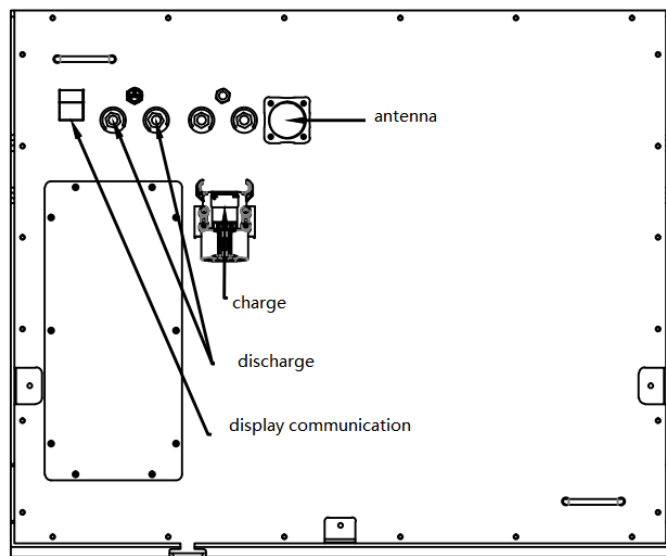
|                   |                        |                       |                              |
|-------------------|------------------------|-----------------------|------------------------------|
| case vehicle      | lindeE16C              |                       |                              |
| model             | QH51.2V0524            | volt arrange          | 40V-58.4V                    |
| rated volt        | 51.2V                  | rated capacity        | 400Ah                        |
| discharge current | 200A                   | discharge temperature | -20°C-60°C                   |
| charge current    | 200A                   | charge temperature    | -0°C-45°C                    |
| size              | 827*627*600mm          | weight                | 850kg (extra weight include) |
| communication     | CAN, real time monitor | service life          | 5Y                           |
| screen            | EV4.3inch              | charge/discharge      | separated                    |



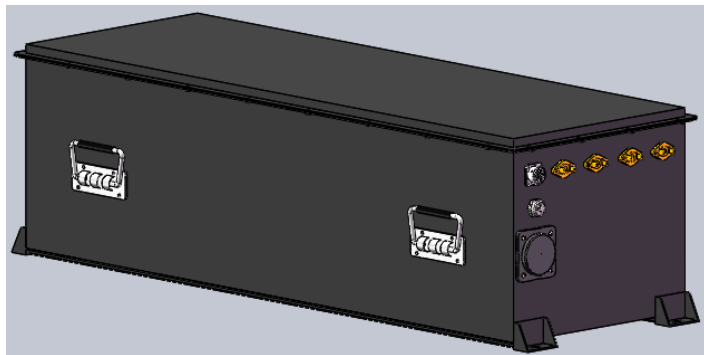
# counter balanced forklift



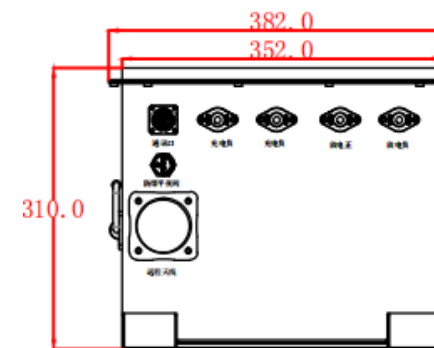
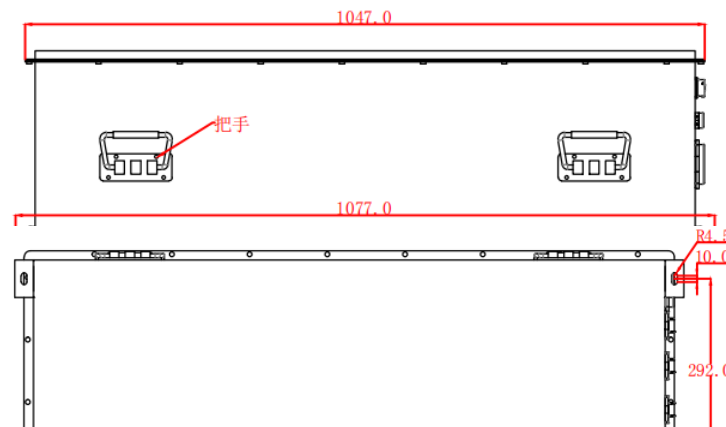
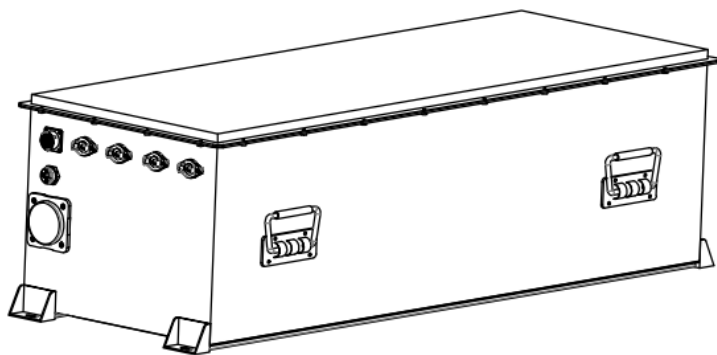
|                   |                        |                       |                                |
|-------------------|------------------------|-----------------------|--------------------------------|
| case vehicle      | toyotaFB30             |                       |                                |
| model             | QH76. 8V300Ah0328      | volt arrange          | 60V-87. 6V                     |
| rated volt        | 76. 8V                 | rated capacity        | 300Ah                          |
| discharge current | 200A                   | discharge temperature | -20°C-60°C                     |
| charge current    | 150A                   | charge temperature    | -0°C-45°C                      |
| size              | 827*627*600mm          | weight                | 1100kg (extra weight included) |
| communication     | CAN, real time monitor | service life          | 5Y                             |
| screen            | EV4. 3inch             | charge/discharge      | separated                      |



# Special vehicle



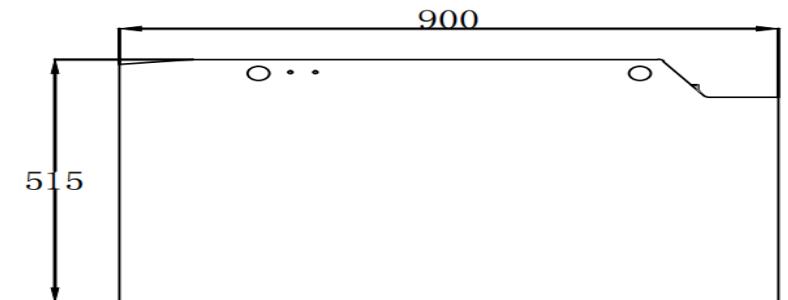
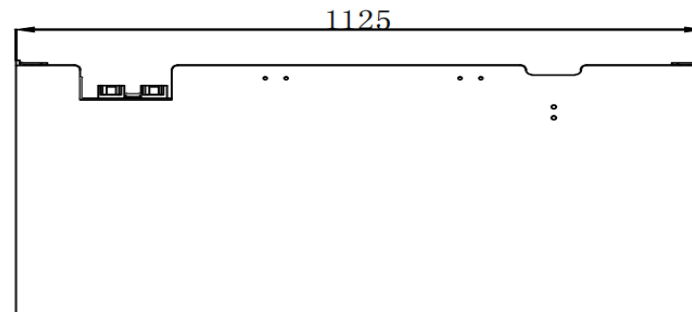
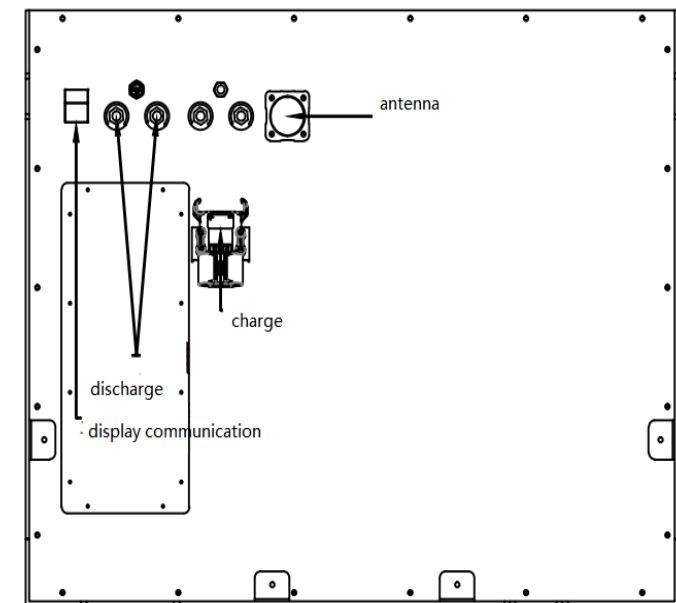
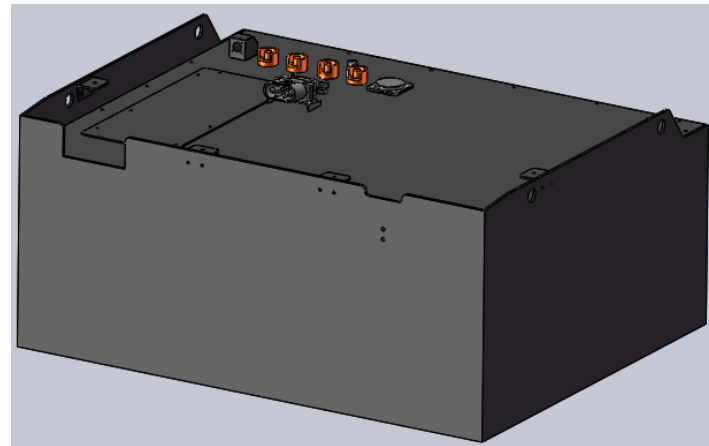
|                   |                        |                       |              |
|-------------------|------------------------|-----------------------|--------------|
| model             | QH73.6V200Ah0264       | 电压范围                  | 57.5V-83.95V |
| rated volt        | 73.6V                  | rated capacity        | 200Ah        |
| discharge current | 100A                   | discharge temperature | -20°C-60°C   |
| charge current    | 40A                    | charge temperature    | -0°C-45°C    |
| size              | 1077*382*310mm         | weight                | 140kg        |
| communication     | CAN, real time monitor | service life          | 5Y           |
| screen            | 4.3inch screen         | charge/discharge hole | separated    |



# counter balanced forklift

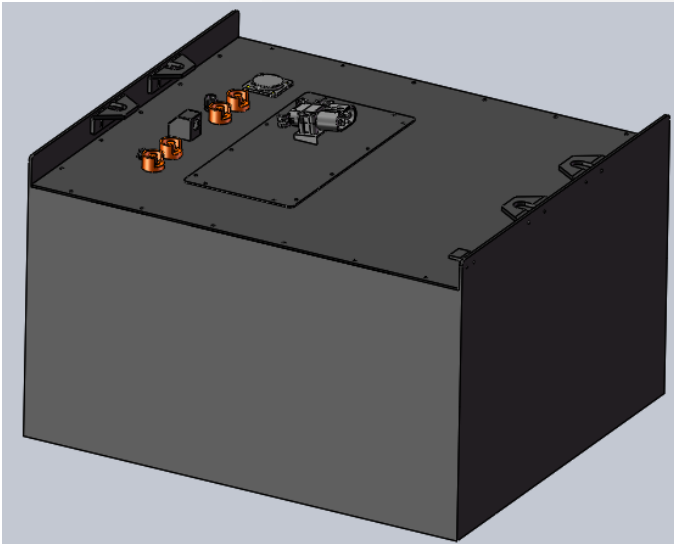


| case vehicle      | zoomlionFB30           |                       |                                |
|-------------------|------------------------|-----------------------|--------------------------------|
| battery           | QH76. 8V400Ah0322      | volt arrange          | 60V-87. 6V                     |
| rated volt        | 76. 8V                 | rated capacity        | 400Ah                          |
| discharge current | 200A                   | discharge temperature | -20°C-60°C                     |
| charge current    | 200A                   | charge temperature    | -0°C-45°C                      |
| size              | 1125*900*515mm         | weight                | 1350kg (extra weight included) |
| communication     | CAN, real time monitor | service life          | 5Y                             |
| screen            | EV4. 3inch             | charge/discharge      | separated                      |

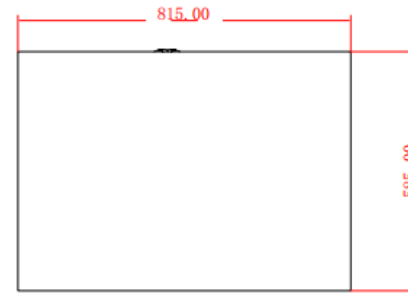
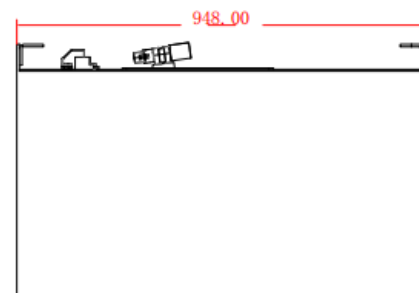
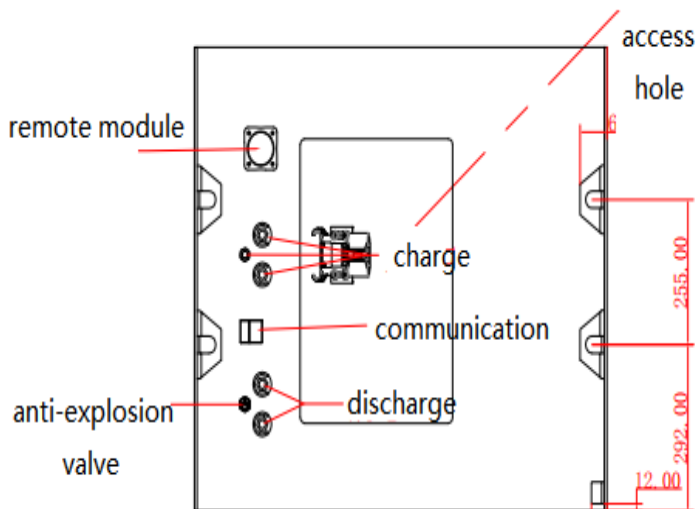


# counter balanced forklift

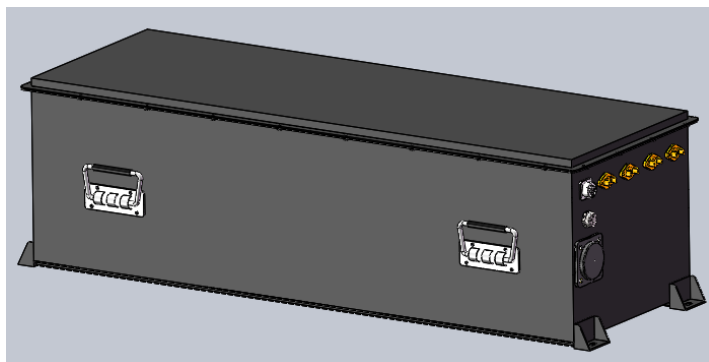
83.2V460Ah,948\*815\*585mm: 6109\$  
 By sea DDP 9554  
 83.2V 450Ah 9078\$/pc



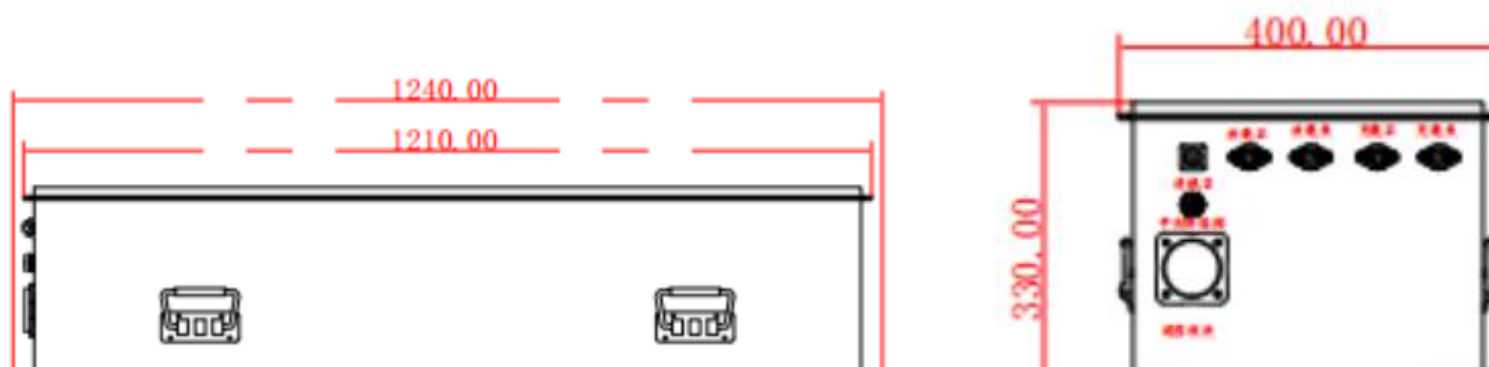
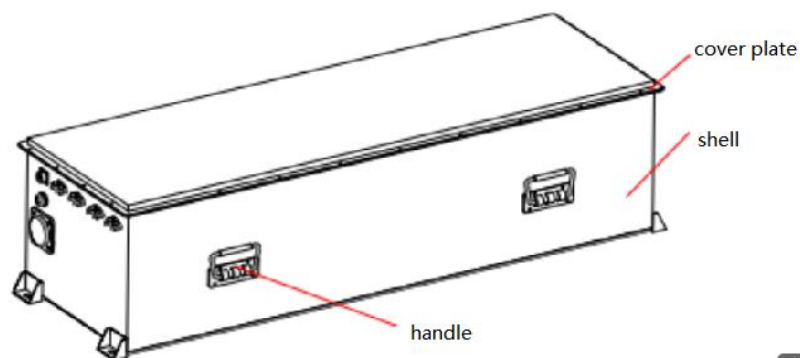
|                   |                        |                       |                               |
|-------------------|------------------------|-----------------------|-------------------------------|
| case vehicle      | toyota8FBN35           |                       |                               |
| model             | QH83.2V450Ah0404       | rated volt            | 65V-94.9V                     |
| rated volt        | 83.2V                  | rated capacity        | 450Ah                         |
| discharge current | 200A                   | discharge temperature | -20°C-60°C                    |
| charge current    | 200A                   | charge temperature    | -0°C-45°C                     |
| size              | 948*815*585mm          | weight                | 900kg (extra weight included) |
| communication     | CAN, real time monitor | service life          | 5Y                            |
| screen            | EV4.3inch              | charge/discharge      | separated                     |



# special vehicles

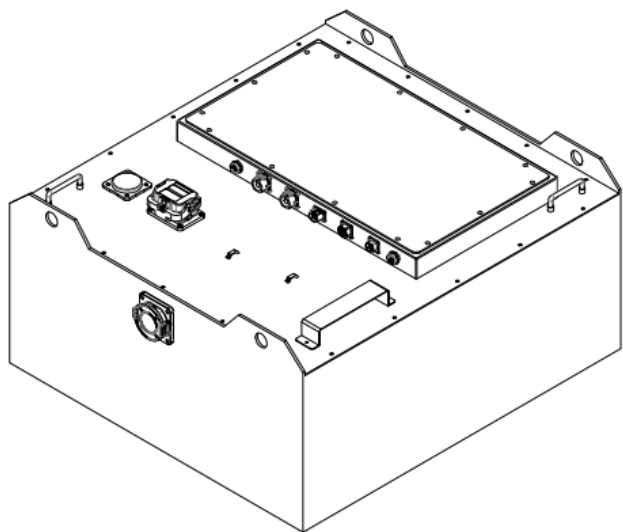
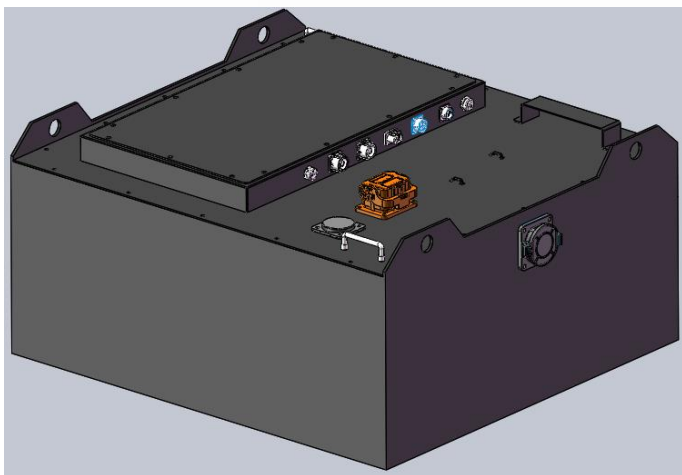


| model             | QH96V200Ah0435         | volt arrange          | 75V-109.5V |
|-------------------|------------------------|-----------------------|------------|
| rated volt        | 96V                    | rated capacity        | 200Ah      |
| discharge current | 100A                   | discharge temperature | -20°C-60°C |
| charge current    | 40A                    | charge temperature    | -0°C-45°C  |
| size              | 1240*400*330mm         | weight                | 165kg      |
| communication     | CAN, real time monitor | service life          | 5Y         |
| screen            | 4.3inch screen         | charge/discharge      | separated  |

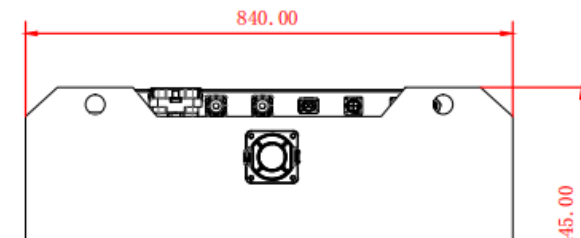
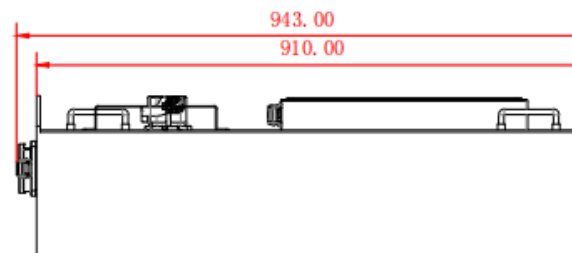
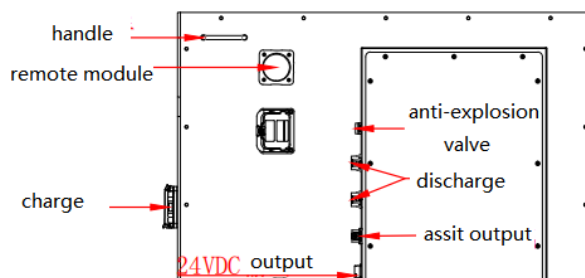




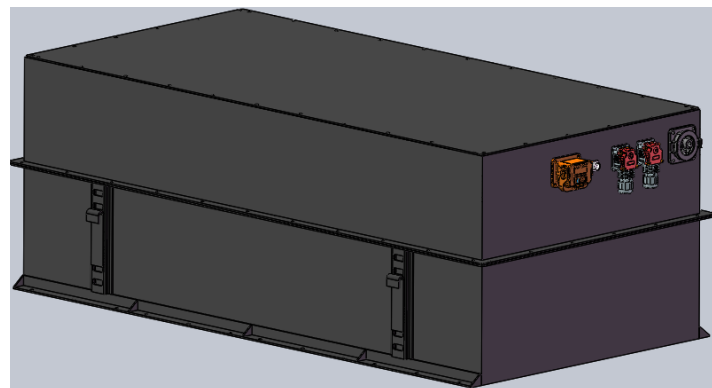
# special vehicles



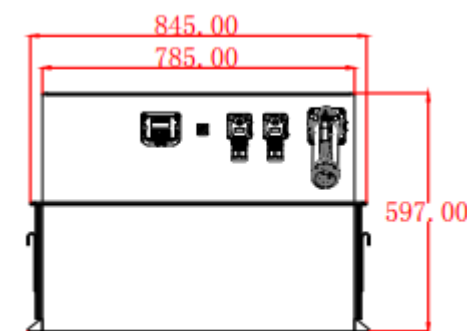
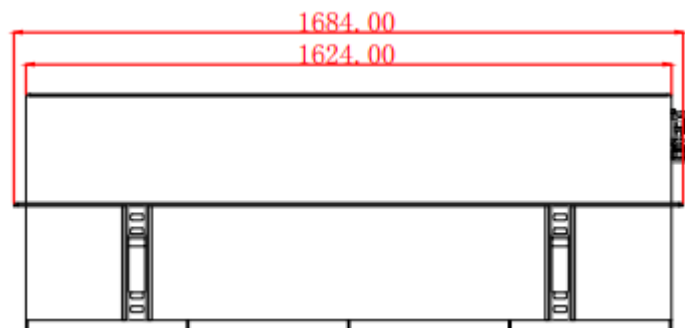
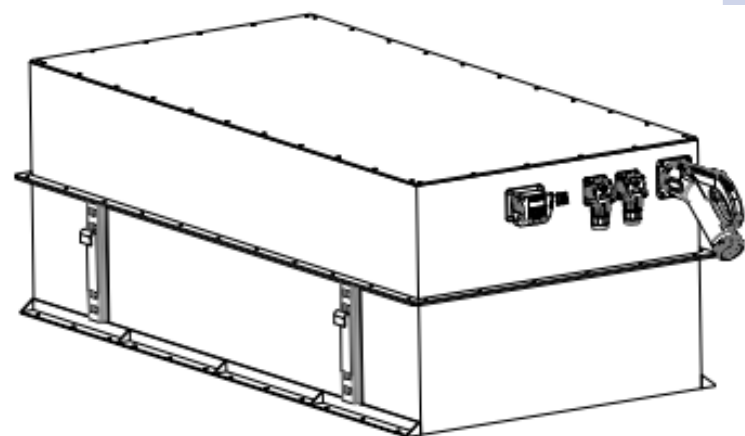
| model             | QH320V100Ah064         | 电压范围                  | 270V-360V  |
|-------------------|------------------------|-----------------------|------------|
| rated volt        | 320V                   | rated capacity        | 100Ah      |
| discharge current | 100A                   | discharge temperature | -20°C-60°C |
| charge current    | 40A                    | charge temperature    | -0°C-45°C  |
| size              | 910*840*445mm          | weight                | 350kg      |
| communication     | CAN, real time monitor | service life          | 5Y         |
| screen            | 4.3inch screen         | charge/discharge hole | Separated  |



# special vehicles



| model             | QH531.2V150Ah0868 | volt arrange          | 498V-597.6V |
|-------------------|-------------------|-----------------------|-------------|
| rated volt        | 531.2V            | rated capacity        | 150Ah       |
| discharge current | 100A              | discharge temperature | -20°C-60°C  |
| charge current    | 60A               | charge temperature    | -0°C-45°C   |
| size              | 1684*845*597mm    | weight                | 350kg       |
| communication     | CAN               | service life          | 5Y          |
| screen            | 4.3inch screen    | charge/discharge      | separated   |





THANK YOU

Helen

Anhui Qianhang New Energy Technology Co.,Ltd

Add:Building 27,Hefei Industrial Investment SME industrial park,Longzihu District,Bengbu City,Anhui province

Mobile:8615005520056

FAX: 86-552-6648666

Email: [helen@qhlithiumbattery.com](mailto:helen@qhlithiumbattery.com)

Website:<http://www.qhlithiumbattery.com>