



千航锂电

QIANHANG LITHIUM BATTERY

High Quality Charger

For Lithium Battery and Lead-Acid Battery

安徽千航新能源科技有限公司

Anhui Qianhang New Energy Technology Co.,Ltd

安徽省蚌埠市龙子湖区合肥工投产业园27栋

Add:Hefei Industrial Investment industrial park,Longzihu

District,Bengbu City,Anhui province

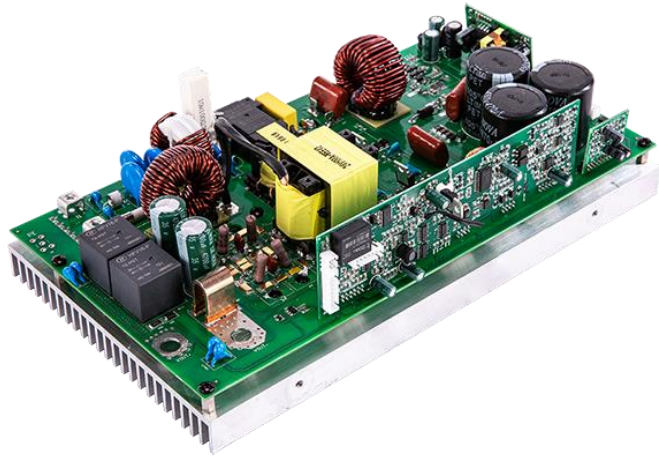
TEL:86-552-6091999/Mobile:8615005520056(whatsapp)

Email:helen@qhlithiumbattery.com

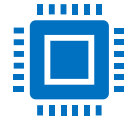
Website:<http://qianhangbattery.en.alibaba.com>



Product Concept: Easy&Reliable



3KW/6KW high frequency power design by ourself



Combine mode control, apply to low volt and high current ,which has better reliability and stability than LLC. , Module shifting efficiency and LLC are almost the same

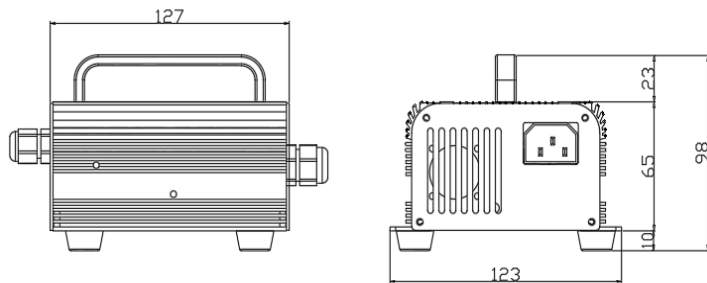


The stablest peak current control, which has current-limit function. are the most liable type in all the electric control type



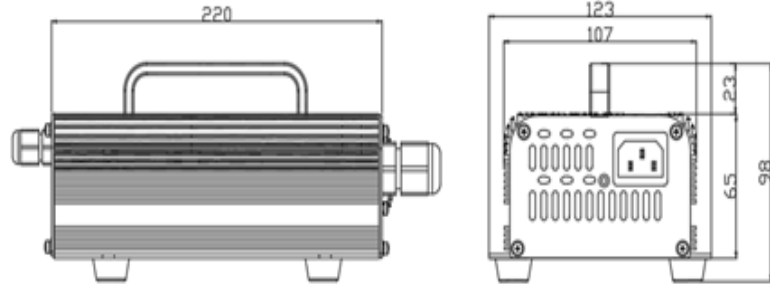
Module with auto heat dissipation. Heating dissipation at PBB bottom with good anti-vibration

300W-B series



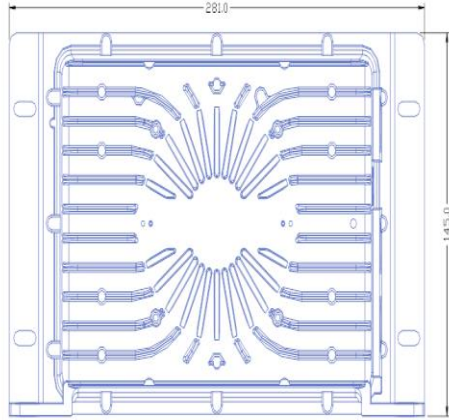
300W-B	name	12V15A	24V8A	24V10A	48V5A
input	input volt	AC100-240V	AC100-240V	AC100-240V	AC100-240V
	input phase	single phase	single phase	single phase	single phase
	frequency	50/60Hz	50/60Hz	50/60Hz	50/60Hz
	input current (max)	≤2.4A	≤2.7A	≤3.4A	≤3.4A
	power factor	≥ 0.99	≥ 0.99	≥ 0.99	≥ 0.99
	input power	≤240W	≤267W	≤335W	≤335W
	plug	L+N+PE	L+N+PE	L+N+PE	L+N+PE
output	shift power	≥ 0.86	≥ 0.86	≥ 0.86	≥ 0.86
	rated output volt	14.4V	28.8V	28.8V	57.6V
	rated output current	15A	8A	10A	5A
	rated output power	216W	230W	288W	288W
	output volt	6Vdc ~ 16Vdc	10Vdc ~ 32Vdc	10Vdc ~ 32Vdc	10Vdc ~ 60Vdc
	output plug	Anderson SB50	Anderson SB50	Anderson SB50	Anderson SB50
com	CAN	no	no	no	no
	charging protocol	no	no	no	no
其他	matched battery	lead acid/lithium	lead acid/lithium	lead acid/lithium	lead acid/lithium
	dimension	127X123X98(mm)	127X123X98(mm)	127X123X98(mm)	127X123X98(mm)
	N.W	1.24KG	1.24KG	1.24KG	1.24KG
	cooling	air cooling	air cooling	air cooling	air cooling
	work temperature	-20° C ~ 50° C	-20° C ~ 50° C	-20° C ~ 50° C	-20° C ~ 50° C
	work moisture	0% ~ 95%	0% ~ 95%	0% ~ 95%	0% ~ 95%
	protect grade	IP55	IP55	IP55	IP55
	IP grade (optional or not)	N/A	N/A	N/A	N/A
	noise	<65dB	<65dB	<65dB	<65dB
	altitude	<2000m	<2000m	<2000m	<2000m

900W-B 系列



900W-B	name	24V20A	24V30A	48V10A	48V15A	60V13A
input	input volt	AC100-240V	AC100-240V	AC100-240V	AC100-240V	AC100-240V
	input phase	single phase	single phase	single phase	single phase	single phase
	frequency	50/60Hz	50/60Hz	50/60Hz	50/60Hz	50/60Hz
	input current (max)	<=6.5A	<=9.6A	<=6.4A	<=9.6A	<=10.5A
	power factor	≥ 0.99	≥ 0.99	≥ 0.99	≥ 0.99	≥ 0.99
	input power	<=640W	<=960W	<=640W	<=960W	<=1054W
	input plug	L+N+PE	L+N+PE	L+N+PE	IL+N+PE	L+N+PE
output	shift power	≥ 0.9	≥ 0.9	≥ 0.9	≥ 0.9	≥ 0.9
	rated output volt	28.8V	28.8V	57.6V	57.6V	73V
	rated output current	20A	30A	10A	15A	13A
	rated output power	576W	860W	576W	864W	949W
	output volt	10Vdc ~ 32Vdc	10Vdc ~ 32Vdc	10Vdc ~ 60Vdc	10Vdc ~ 60Vdc	10Vdc ~ 75Vdc
	output plug	Anderson SB50	Anderson SB50	Anderson SB50	Anderson SB50	Anderson SB50
	com	CAN	optional	optional	optional	optional
charging protocol		customized	customized	customized	customized	customized
the other	matched battery	leadacid/lithium	leadacid/lithium	leadacid/lithium	leadacid/lithium	leadacid/lithium
	dimension	220X123X98(m m)	220X123X98(m m)	220X123X98(m m)	220X123X98(m m)	220X123X98(m m)
	N.W	2KG	2KG	2KG	2KG	2KG
	cooling	Air cooling	Air cooling	Air cooling	Air cooling	Air cooling
	work temperature	-20° C ~ 50° C	-20° C ~ 50° C	-20° C ~ 50° C	-20° C ~ 50° C	-20° C ~ 50° C
	work moisture	0% ~ 95%	0% ~ 95%	0% ~ 95%	0% ~ 95%	0% ~ 95%
	protect	IP55	IP55	IP55	IP55	IP55
	IP grade (optional or not)	N/A	N/A	N/A	N/A	N/A
	noise	<65dB	<65dB	<65dB	<65dB	<65dB
	altitude	<2000m	<2000m	<2000m	<2000m	<2000m

1200W-A Series



IP67

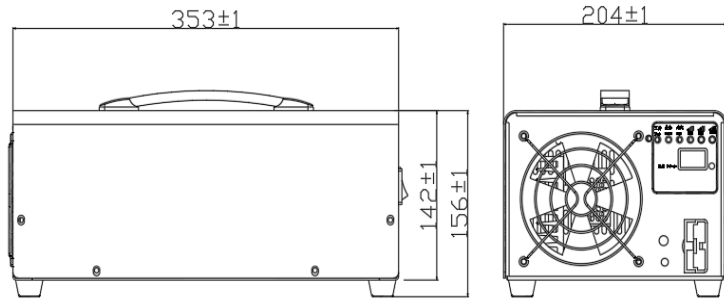
1200W-A	name	48V20A	60V15A	72V13A
input	input volt	AC220V±15%	AC220V±15%	AC220V±15%
	input phase	single phase	single phase	single phase
	frequency	50/60Hz	50/60Hz	50/60Hz
	input current (max)	<=8A	<=7.6A	<=7.9A
	power factor	≥ 0.7	≥ 0.7	≥ 0.7
	input power	<=1226W	<=1165W	<=1211W
	input plug	Industrial / L+N+PE	Industrial / L+N+PE	Industrial / L+N+PE
output	shift power	≥ 0.9	≥ 0.9	≥ 0.9
	rated output volt	57.6V	73V	87.6V
	rated output current	20A	15A	13A
	rated output power	1152W	1095W	1139W
	output volt	10Vdc ~ 60Vdc	10Vdc ~ 75Vdc	10Vdc ~ 100Vdc
	output plug	Anderson SB175	Anderson SB175	Anderson SB175,
com	CAN	optional	optional	optional
	charging protocol	customized	customized	customized
	matched battery	lead acid/lithium	lead acid/lithium	lead acid/lithium
the other	dimension	353X204X156(mm)	353X204X156(mm)	353X204X156(mm)
	N.W	6KG	6KG	6KG
	cooling	airway cooling	airway cooling	airway cooling
	work temperature	-20° C ~ 50° C	-20° C ~ 50° C	-20° C ~ 50° C
	work moisture	0% ~ 95%	0% ~ 95%	0% ~ 95%
	protect	IP67	IP67	IP67
	IP grade(optional or not)	N/A	N/A	N/A
	noise	<65dB	<65dB	<65dB
	altitude	<2000m	<2000m	<2000m

1200W-B Series



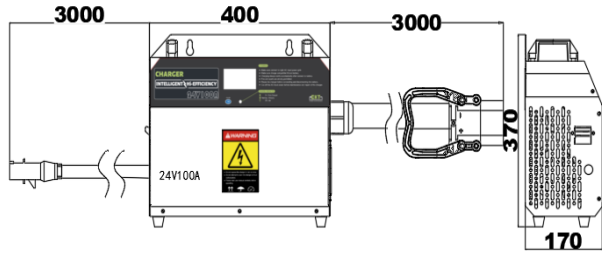
1200W-B	name	48V20A	60V15A	72V13A
input	input volt	AC220V±15%	AC220V±15%	AC220V±15%
	input phase	single phase	single phase	single phase
	frequency	50/60Hz	50/60Hz	50/60Hz
	input current (max)	≤8A	≤7.6A	≤7.9A
	power factor	≥ 0.7	≥ 0.7	≥ 0.7
	input power	≤1226W	≤1165W	≤1211W
	input plug	Industrial / L+N+PE	Industrial / L+N+PE	Industrial / L+N+PE
output	shift power	≥ 0.9	≥ 0.9	≥ 0.9
	rated output volt	57.6V	73V	87.6V
	rated output current	20A	15A	13A
	rated output power	1152W	1095W	1139W
	output volt	10Vdc ~ 60Vdc	10Vdc ~ 75Vdc	10Vdc ~ 100Vdc
	output plug	Anderson SB175, Male or Female plug, optional	Anderson SB175, Male or Female plug, optional	Anderson SB175, Male or Female plug, optional
com	CAN	no	no	no
	charging protocol	no	no	no
other	matched battery	lead acid/Lithium	lead acid/Lithium	lead acid/Lithium
	dimension	353X204X156(mm)	353X204X156(mm)	353X204X156(mm)
	N.W	6KG	6KG	6KG
	cooling	Air cooling	Air cooling	Air cooling
	work temperature	-20° C ~ 50° C	-20° C ~ 50° C	-20° C ~ 50° C
	work moisture	0% ~ 95%	0% ~ 95%	0% ~ 95%
	protect	IP55	IP55	IP55
	IP (optional or not)	N/A	N/A	N/A
	noise	<65dB	<65dB	<65dB
	altitude	<2000m	<2000m	<2000m

1500W-B series



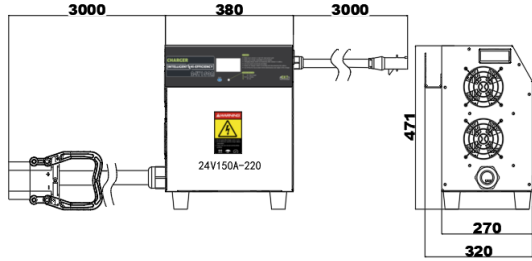
1500W-B	name	24V40A	24V50A	48V30A	60V30A	72V25A	
input	input volt	AC220V±15%	AC220V±15%	AC220V±15%	AC220V±15%	AC220V±15%	
	input phase	single phase	single phase	single phase	single phase	single phase	
	frequency	50/60Hz	50/60Hz	50/60Hz	50/60Hz	50/60Hz	
	input current (max)	≤8A	≤10A	≤12A	≤15.1A	≤15.1A	
	power factor	≥ 0.7	≥ 0.7	≥ 0.7	≥ 0.7	≥ 0.7	
	input power	≤1226W	≤1532W	≤1838W	≤2330W	≤2330W	
	input plug	Industrial / L+N+PE	Industrial / L+N+PE	Industrial / L+N+PE	Industrial / L+N+PE	Industrial / L+N+PE	
	output	shift power	≥ 0.9	≥ 0.9	≥ 0.9	≥ 0.9	≥ 0.9
rated output volt		28.8V	28.8V	57.6V	73V	87.6V	
rated output current		40A	50A	30A	30A	25A	
rated output power		1152W	1440W	1728W	2190W	2190W	
output volt		10Vdc ~ 32Vdc	10Vdc ~ 32Vdc	10Vdc ~ 60Vdc	10Vdc ~ 75Vdc	10Vdc ~ 100Vdc	
output plug		Anderson SB175, Male or Female plug, optional	Anderson SB175, Male or Female plug, optional	Anderson SB175, Male or Female plug, optional	Anderson SB175, Male or Female plug, optional	Anderson SB175, Male or Female plug, optional	
com		CAN charging protocol	optional customized	optional customized	optional customized	optional customized	optional customized
		matched battery	lead acid/lithium	lead acid/lithium	lead acid/lithium	lead acid/lithium	lead acid/lithium
the other	dimension	353X204X156(mm)	353X204X156(mm)	353X204X156(mm)	353X204X156(mm)	353X204X156(mm)	
	N.W	6KG	6KG	6KG	6KG	6KG	
	cooling	Air cooling	Air cooling	Air cooling	Air cooling	Air cooling	
	work temperature	-20° C ~ 50° C	-20° C ~ 50° C	-20° C ~ 50° C	-20° C ~ 50° C	-20° C ~ 50° C	
	work moisture	0% ~ 95%	0% ~ 95%	0% ~ 95%	0% ~ 95%	0% ~ 95%	
	protect	IP55	IP55	IP55	IP55	IP55	
	IP (optional or not)	N/A	N/A	N/A	N/A	N/A	
	noise	<65dB	<65dB	<65dB	<65dB	<65dB	
	altitude	<2000m	<2000m	<2000m	<2000m	<2000m	

3000W series



3000W	name	24V100A	48V50A	36V50A	36V100A	72V35A
input	input volt	AC100-240V	AC100-240V	AC100-240V	AC100-240V	AC100-240V
	input phase	single phase	single phase	single phase	single phase	single phase
	frequency	50/60Hz	50/60Hz	50/60Hz	50/60Hz	50/60Hz
	input current (max)	<=14.6A	<=14.4	10.8	21.6	<=15.3A
	power factor	≥ 0.99	≥ 0.99	≥ 0.99	≥ 0.99	≥ 0.99
	input power	≤ 3164W	≤ 3164W	2373	4752	≤ 3369W
	input plug	L+N+PE	L+N+PE	L+N+PE	L+N+PE	L+N+PE
output	shift power	≥ 0.91	≥ 0.91	≥ 0.91	≥ 0.91	≥ 0.91
	rated output volt	28.8V	57.6V	43.2	43.2	87.6V
	rated output current	100A	50A	50A	100A	35A
	rated output power	2880W	2880W	2160	4320	3066W
	output volt	10Vdc ~ 32Vdc	10Vdc ~ 60Vdc	10Vdc ~ 60Vdc	10Vdc ~ 60Vdc	10Vdc ~ 100Vdc
	output plug	Rema160A	Rema80A	Rema80A	Rema80A	Rema80A
com	CAN	optional	optional	optional	optional	optional
	charging protocol	customized	customized	customized	customized	customized
the other	matched battery	lead acid/lithium	lead acid/lithium	lead acid/lithium	lead acid/lithium	lead acid/lithium
	dimension	400x170x370(mm)	400x170x370(mm)	400x170x370(mm)	400x170x370(mm)	400x170x370(mm)
	N.W	11KG	11KG	11KG	11KG	11KG
	cooling	Air cooling	Air cooling	Air cooling	Air cooling	Air cooling
	work temperature	-20° C ~ 50° C	-20° C ~ 50° C	-20° C ~ 50° C	-20° C ~ 50° C	-20° C ~ 50° C
	work moisture	0% ~ 95%	0% ~ 95%	0% ~ 95%	0% ~ 95%	0% ~ 95%
	protect	IP20	IP20	IP20	IP20	IP20
	IP (optional or not)	IP54	IP54	IP54	IP54	IP54
	noise	<65dB	<65dB	<65dB	<65dB	<65dB
	altitude	<2000m	<2000m	<2000m	<2000m	<2000m

6000W-S series



6000W-S	name	24V150A	24V200A	48V100V-220	80V65A
input	input volt	AC100-240V	AC100-240V	AC100-240V	AC100-240V
	input phase	single phase	single phase	single phase	single phase
	frequency	50/60Hz	50/60Hz	50/60Hz	50/60Hz
	input current (max)	<=24A	<=29A	<=29A	<=29A
	power factor	≥ 0.99	≥ 0.99	≥ 0.99	≥ 0.99
	input power	≤ 4.7KW	≤ 6.3KW	≤ 6.3KW	≤ 6.2KW
	input plug	L+N+PE	L+N+PE	L+N+PE	L+N+PE
	output	shift power	≥ 0.92	≥ 0.92	≥ 0.92
rated output volt		28.8V	28.8V	57.6V	87.6V
rated output current		150A	200A	100A	65A
rated output power		4.32KW	5.76KW	5.76KW	5.7KW
output volt		10Vdc ~ 32Vdc	10Vdc ~ 32Vdc	10Vdc ~ 60Vdc	10Vdc ~ 100Vdc
output plug		Rema320A	Rema320A	Rema160A	Rema80A
com	CAN	optional	optional	optional	optional
	charging protocol	customized	customized	customized	customized
others	matched battery	lead acid/lithium	lead acid/lithium	lead acid/lithium	lead acid/lithium
	dimension	380X320X471(mm)	380X320X471(mm)	380X320X471(mm)	380X320X471(mm)
	N.W	26KG	26KG	26KG	26KG
	cooling	Air cooling	Air cooling	Air cooling	Air cooling
	working temperature	-20° C ~ 50° C	-20° C ~ 50° C	-20° C ~ 50° C	-20° C ~ 50° C
	work moisture	0% ~ 95%	0% ~ 95%	0% ~ 95%	0% ~ 95%
	protec	IP20	IP20	IP20	IP20
	IP	IP54	IP54	IP54	IP54
	noise	<65dB	<65dB	<65dB	<65dB
	altitude	<2000m	<2000m	<2000m	<2000m

12000W series



12000W	name	80V65A	80V150A	80V150A	115.2V100A	153.6V70A
input	input volt	AC220V±15%	AC380V±15%	AC480V±15%	AC380V±15%	AC380V±15%
	input phase	3P4L	3P4L	3P4L	3P4L	3P4L
	frequency	50/60Hz	50/60Hz	50/60Hz	50/60Hz	50/60Hz
	input current (max)	<=16.2A	<=22A	<=17.2A	<=21A	<=20A
	power factor	≥ 0.99	≥ 0.99	≥ 0.99	≥ 0.99	≥ 0.99
	input power	≤6.2KW	≤14.3KW	≤14.3KW	≤14.1KW	≤ 13.2KW
	input plug	Three Phase + PE	Three Phase + PE	Three Phase + PE	Three Phase + PE	Three Phase + PE
output	shift power	≥ 0.92	≥ 0.92	≥ 0.92	≥ 0.92	≥ 0.92
	rated output volt	87.6V	87.6V	87.6V	129.6V	172.8V
	rated output current	65A	150A	150A	100A	70A
	rated output power	5.7KW	13.1KW	13.1KW	13KW	12.1KW
	output volt	10Vdc ~ 100Vdc	10Vdc ~ 100Vdc	10Vdc ~ 100Vdc	10Vdc ~ 132Vdc	10Vdc ~ 176Vdc
	output plug	Rema160A	Rema320A	Rema320A	Rema160A	Rema160A
com	CAN	optional	optional	optional	optional	optional
	charging protocol	customized	customized	customized	customized	customized
others	matched battery	lithium	lithium	lithium	lithium	lithium
	dimension	378X428X623(mm)	378X428X623(mm)	378X428X623(mm)	378X428X623(mm)	378X428X623(mm)
	N.W	40KG	40KG	40KG	40KG	40KG
	cooling	airway cooling	airway cooling	airway cooling	airway cooling	airway cooling
	work temperature	-20° C ~ 50° C	-20° C ~ 50° C	-20° C ~ 50° C	-20° C ~ 50° C	-20° C ~ 50° C
	work moisture	0% ~ 95%	0% ~ 95%	0% ~ 95%	0% ~ 95%	0% ~ 95%
	protect	IP20	IP20	IP20	IP20	IP20
	IP	IP54	IP54	IP54	IP54	IP54
	noise	<65dB	<65dB	<65dB	<65dB	<65dB
altitude	<2000m	<2000m	<2000m	<2000m	<2000m	

